

540
015/79
D

DR. 151

SERI/TR-34-083

August 1979

Survey of Solar Thermal Test Facilities

Keith Masterson

MASTER



SERI

Solar Energy Research Institute

A Division of Midwest Research Institute

1536 Cole Boulevard
Golden, Colorado 80401

Operated for the
U.S. Department of Energy
under Contract No. EG-77-C-01-4042



DISCLAIMER

This report was prepared as an account of work sponsored by an agency of the United States Government. Neither the United States Government nor any agency Thereof, nor any of their employees, makes any warranty, express or implied, or assumes any legal liability or responsibility for the accuracy, completeness, or usefulness of any information, apparatus, product, or process disclosed, or represents that its use would not infringe privately owned rights. Reference herein to any specific commercial product, process, or service by trade name, trademark, manufacturer, or otherwise does not necessarily constitute or imply its endorsement, recommendation, or favoring by the United States Government or any agency thereof. The views and opinions of authors expressed herein do not necessarily state or reflect those of the United States Government or any agency thereof.

DISCLAIMER

Portions of this document may be illegible in electronic image products. Images are produced from the best available original document.

Printed in the United States of America
Available from:
National Technical Information Service
U.S. Department of Commerce
5285 Port Royal Road
Springfield, VA 22161
Price:
Microfiche \$3.00
Printed Copy \$ 7.25

NOTICE

This report was prepared as an account of work sponsored by the United States Government. Neither the United States nor the United States Department of Energy, nor any of their employees, nor any of their contractors, subcontractors, or their employees, makes any warranty, express or implied, or assumes any legal liability or responsibility for the accuracy, completeness or usefulness of any information, apparatus, product or process disclosed, or represents that its use would not infringe privately owned rights.

SERI/TR-34-083
UC CATEGORY: UC-59B,62,63c

SURVEY OF SOLAR THERMAL
TEST FACILITIES

KEITH MASTERSON

AUGUST 1979

NOTICE

This report was prepared as an account of work sponsored by the United States Government. Neither the United States nor the United States Department of Energy, nor any of their employees, nor any of their contractors, subcontractors, or their employees, makes any warranty, express or implied, or assumes any legal liability or responsibility for the accuracy, completeness or usefulness of any information, apparatus, product or process disclosed, or represents that its use would not infringe privately owned rights.

MASTER

Solar Energy Research Institute

1536 Cole Boulevard
Golden, Colorado 80401

A Division of Midwest Research Institute

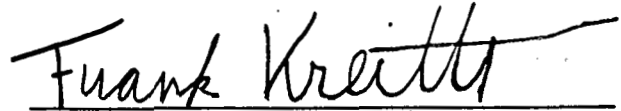
Prepared for the
U.S. Department of Energy
Contract No. EG 77-C-01-4042

leg

THIS PAGE
WAS INTENTIONALLY
LEFT BLANK

FOREWORD

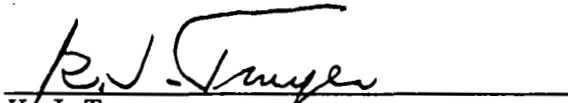
This report documents efforts on SERI Task 3405, to "Conduct High Temperature Solar Research," from January 1, 1978 to December 31, 1978.



Frank Kreith, Branch Chief
Thermal Conversion Branch

Approved for:

SOLAR ENERGY RESEARCH INSTITUTE



K. J. Touryan
Acting Assistant Director for Research

THIS PAGE
WAS INTENTIONALLY
LEFT BLANK

SUMMARY

In order to successfully commercialize the application of solar energy to terrestrial energy demands, the performance and durability of the solar components and systems need to be demonstrated to the buying public and their financial supporters. Thus an extensive program of hardware development and testing is required.

This final report surveys U.S. solar thermal test facilities and some foreign high-temperature test facilities that will play significant roles in developing solar thermal systems. Although the emphasis is on mid- and high-temperature technologies using concentrating collectors, a brief list of facilities qualified to test flat-plate collectors is also included. A 1975 survey of facilities by the Aerospace Corporation is frequently referenced and the complete report is incorporated as an appendix.

Seventeen facilities within the United States have capabilities for testing nonconcentrating collectors. Most of these can meet the requirements of American Society of Heating, Refrigerating, and Air Conditioning (ASHRAE) 93-77.

The present DOE program requiring concentrating collector technology and its supporting test needs is examined. Ten facilities, mostly located at national laboratories, either already exist or are planned to support the distributed concentrating collector program. In view of anticipated test needs for the program, it is recommended that all facilities except one should receive continued support and be maximally developed. It is also suggested that several facilities that are potentially useful for testing concentrating collectors should not be upgraded for that purpose.

Test requirements for central receiver technology are also identified: three existing facilities and one planned domestic facility provide support to this technology for the near future. The 5 MW_t Central Receiver Test Facility at Albuquerque, New Mex., and the 400 kW Advanced Components Test Facility at Atlanta, Ga., are the principal installations. Since installations are expensive, additional large facilities cannot be justified. Also, seven foreign facilities can be applied toward testing receiver components or toward high-temperature metallurgy. Large-scale experiments such as the Barstow, Calif., and the planned Ft. Hood, Tex., installations will provide additional system and component testing and evaluation. For some time, successive generations of central receiver systems will be improved because of user experience.

Appendices containing specific data on each distributed concentrating collector and central receiver facility are included in the report.

THIS PAGE
WAS INTENTIONALLY
LEFT BLANK

TABLE OF CONTENTS

	<u>Page</u>
1.0 Introduction	1
2.0 Nonconcentrating Collectors.....	3
3.0 Distributed Concentrating Collectors	7
3.1 Present Program	7
3.2 Perceived Test Needs	9
3.3 Presently Available Facilities	10
3.4 Conclusions and Recommendations	13
4.0 Central Receivers	17
4.1 Present Program and Perceived Test Needs	17
4.2 Presently Available Facilities	18
4.3 Conclusions and Recommendations	23
5.0 References	25
Appendix A: Data Sheets for Survey of Solar Thermal Test Facilities Concentrating Collector	A-1
Appendix B: Data on Central Receiver Test Facilities	B-1
Appendix C: Central Receiver Solar Thermal Power System: Review and Summary of Available Test Facilities [Aerospace Corp. Report ATR-75(7379)-2 Jan. 1975]	C-1

LIST OF FIGURES

	<u>Page</u>
3-1 Capability of Existing or Planned Facilities in Meeting Objectives	15

LIST OF TABLES

	<u>Page</u>
2-1 Laboratories for Commercial Testing of Nonconcentrating Collectors	4
3-1 Programs Involving Distributed Concentrating Collectors	8
3-2 Objectives of Test Facilities	10
4-1 Test Needs for Central Receiver Systems.....	18

SECTION 1.0

INTRODUCTION

This final report presents a survey of the solar thermal test facilities, a task that was carried out by Solar Energy Research Institute (SERI) at the request of the Department of Energy (DOE). The major emphasis was on mid- and high-temperature conversion technologies using concentrating collectors. However, a list of facilities capable of testing flat-plate collectors has also been included for completeness. The mid- and high-temperature technologies have been grouped and are discussed in terms of distributed and central receiver facilities.

In 1975 the Aerospace Corporation [1] completed a survey of facilities then available for testing technologies associated with the central receiver concept. In an effort to avoid duplication it has been referenced throughout this report, with a copy included as Appendix C.

Appendix A contains detailed data sheets that were completed for facilities identified as being suitable for testing concentrating collectors in distributed systems. Appendix B includes detailed specifications for recently completed facilities that were installed for testing central receiver components and components of advanced technology conversion schemes. Among them are the 5-MW test facility at Sandia Laboratories, Albuquerque, N.Mex., and the Advanced Technology Components Test Facility at Georgia Institute of Technology, Atlanta, Ga.

The direct application of solar energy to fill terrestrial energy demands has been limited by high capital cost, uncertainties in performance of currently available collectors and projected collector designs, and the low cost of more conventional energy sources. An extensive program of collector testing and evaluation is essential to remove many of these uncertainties before public or industrial investments lead to the fulfillment of DOE's plan to commercialize solar energy. Although considerable progress has been made in testing and evaluating flat-plate collector performance for low-temperature applications such as domestic water and space heating, many uncertainties remain in the performance of concentrating collectors for mid- and high-temperature applications. Very few data are available on the lifetime of collectors or their performance degradation under field use. The application of data from accelerated lifetime testing done in the laboratory to the prediction of actual performance under field use has not been demonstrated and, at present, remains a difficult and inaccurate estimate. At best, it serves as an interim technique until long-term field tests and experience can be accumulated.

Testing programs of the magnitude necessary to remove these uncertainties are expensive. The expense is greater than individual manufacturers are willing, or often capable, of accepting. To fill this need and support the eventual commercialization of solar energy systems, the Federal Government has established several test facilities at sites across the nation. One objective of this report is to survey the capabilities of these facilities and to determine to what extent they answer the testing needs of the national solar energy program.

SERIO 

SECTION 2.0

NONCONCENTRATING COLLECTORS

During the initial survey of test facilities, several government laboratories were identified as having the capability of testing flat-plate collectors to support low-temperature solar thermal programs. The laboratories identified were: Brookhaven National Laboratories and Lawrence Berkeley Laboratories of DOE; National Bureau of Standards (NBS) in Maryland; and National Aeronautics and Space Administration (NASA) Laboratories at the Lewis, Langley, and Marshall sites. Each serves a different area of the program. A synopsis of the capabilities of each facility is given here. More specific data are available from the data sheets included as Appendix A.

Brookhaven National Laboratories has the capability for testing small areas of low-temperature, inexpensive collectors suitable for boosting heat-pump performance.

Lawrence Berkeley Laboratories has a test bed [2] with approximately 40 m² of flat-plate collector. It could support the development of control strategies for heating and cooling systems that use microprocessor programs and that can be implemented in ROM memory chips for mass production. It is also supporting the development of ammonia absorption cycle chillers capable of operating with low-temperature feedwater.

National Bureau of Standards Laboratory has test loops designed for testing small areas of flat-plate collectors in order to develop and standardize testing procedures. Their test results are used in establishing accepted test procedures such as those endorsed by American Society for Testing Materials (ASTM).

NASA/Lewis has a radiant heat facility with limited 1.2 m by 1.2 m aperture. It is a general-purpose facility and has been used to characterize flat-plate collector performance under a variety of closely controlled input conditions, such as collector tilt angles and sun incidence angles [3,4].

NASA/Langley has a large array (total 1,300 m²) of flat-plate collectors that supplies heating and cooling to a 5,000 m² building and operates with near-ambient pressure water as a transfer fluid. Since the installation was originally designed as a collector test bed, it is well-instrumented. At present, there are collectors from five manufacturers installed on which data on individual collector performance are being taken continuously. However, because of lack of funding, the collectors are not being used for detailed studies of system performance.

NASA/Marshall has a large facility [5] established under the heating and cooling program that is intended for the evaluation of heating and cooling systems, subsystems, and selected components. It is completely committed to tests that support this program, including testing collectors from the DOE/Energy Research and Development Administration (ERDA) demonstration program. Details on this installation are given in Appendix A.

All of the facilities just described are designed and operated for research purposes. Several laboratories are capable of testing collectors commercially in accordance with the requirements of ASHRAE 93-77 [6] and Housing and Urban Development (HUD) document 4930.2. They should serve most of the needs of commercial manufacturers of flat-plate collectors. A list of those laboratories is provided in Table 2-1. It was compiled from a HUD document [7] and a report prepared by NBS in cooperation with the Air Conditioning and Refrigeration Institute [8].

Table 2-1. LABORATORIES FOR COMMERCIAL TESTING OF NONCONCENTRATING COLLECTORS

Facility and Address	Transfer Fluid
Approved Engineering Test Lab Attn: Bob Finch or Irving Williams 15720 Ventura Blvd. Suite 608 Encino, CA 91436	Liquid
Boeing Aerospace Company Attn: A.R. Lunde or Paul T. Sauber Box 3999, Mail Stop 86-01 Seattle, WA 98124 (206) 773-8516	Liquid and Air Inside Simulator
Desert Sunshine Exposure Tests, Inc. Attn: William T. Dokas or Gene A. Zerlaut Box 185-Black Canyon Stage Phoenix, AZ 85020 (602) 465-7521	Liquid and Air
Florida Solar Energy Center Attn: James Roland or Dr. Charles Beach 300 State Road 401 Cape Canaveral, FL 32920 (305) 783-0300	Liquid
Honeywell Energy Resource Center ^a Honeywell Laboratories Minneapolis, MN	Liquid, Air
Johnson Environmental and Energy Center Research Institute Attn: Mr. William Reid Annex D University of Alabama at Huntsville P.O. Box 1247 Huntsville, AL 35807 (205) 895-6257	Liquid
Lockheed Solar Collector Test Facility Attn: R. K. Wedel, Sr. Scientist Dept. 52-32, Bldg. 205 3251 Hanover Street Palo Alto, CA 94304 (415) 493-4411 ext. 45776	Liquid

^aThe Honeywell facility is not generally available for testing collectors from external sources.

Table 2-1. LABORATORIES FOR COMMERCIAL TESTING OF NONCONCENTRATING COLLECTORS (Concluded)

Facility and Address	Transfer Fluid
New Mexico State University Physical Science Laboratory Attn: Mr. William Stevens Las Cruces, NM 88003 (505) 522-4400	Liquid and Air
University of Connecticut Solar Energy Evaluation Center Attn: David R. Jackson, Acting Director U-Box 139 Storrs, CT 06268 (203) 486-2090	Liquid and Air
Solar Energy and Energy Conservation Laboratory Attn: C.A. Morrison Mechanical Engineering Department University of Florida Gainesville, FL 32611 (904) 392-0818	Liquid
Wyle Laboratories Attn: David Reese Box 1008 Huntsville, AL 35807 (205) 837-4411	Liquid and Air

SERIO 

SECTION 3.0

DISTRIBUTED CONCENTRATING COLLECTORS

In the collection of solar energy, tracking concentrating systems have the capability of attaining higher temperatures, lower losses, and greater annual energy production than flat collectors whenever a large percentage of the yearly insolation is under clear sky conditions. In many cases the use of concentrating collectors is the only method of obtaining the high temperatures necessary for many industrial process applications. Recent studies [9,10,11] covering such applications indicate that, given favorable economic climates and political backing, a substantial area of distributed concentrating collector systems will eventually be required.

For systems utilizing heat engines to generate shaft power, concentrating collectors are necessary to achieve sufficiently high temperatures to give acceptable overall thermodynamic efficiency. Total energy systems, irrigation pumps, and many dispersed power systems all require shaft power and therefore undoubtedly will use some form of distributed concentrating collectors if they are to be powered by the sun. In most large buildings cooling loads are equal to or greater than heating loads. To date, flat-plate collectors are marginal in their ability to provide working fluids at temperatures which ensure reliable operation of absorption cycle chillers, and they can drive Rankine cycle units only at low efficiencies. Therefore, in most applications of solar energy to air conditioning systems, it appears that concentrating collector systems will be most economical. In fact, recent studies [12,13] indicate that a parabolic trough will deliver a greater annual energy output than an optimum tilted flat-plate collector for a wide variety of climatic conditions. However, because of their closer compliance with common building practices and techniques, flat-plate devices now represent the majority of the solar collector market. As concentrating collector technology advances and operating data document their performance, one would expect them to have a substantial role in future solar energy markets. However, thorough understanding and documentation of the performance of concentrating collectors under actual operating loads and insolation conditions are prerequisite to their widespread acceptance.

3.1 PRESENT PROGRAM

Within the Division of Solar Technology the main objective of the current program for distributed solar energy systems using concentrating collectors is to establish the technical and economic feasibility of the concept [14]. The program is outlined in Table 3-1, with additional details given in the text that follows. As part of this effort DOE is funding development of several systems that require shaft power. These projects are the Solar Total Energy (STE) and the irrigation projects managed by Sandia Albuquerque and the small power systems project managed by Jet Propulsion Laboratory (JPL).

In the irrigation project a large-scale experiment has been constructed for a shallow-well pumping station near Willard, N. Mex., and a deep-well system near Coolidge, Ariz., is being built. For these projects the government has simply procured concentrating collectors from the commercial market. Collector design and testing were not explicitly supported but were left to the commercial sector. The support afforded by these procurements is expected to stimulate commercial production of concentrating collectors.

**Table 3-1. PROGRAMS INVOLVING DISTRIBUTED
CONCENTRATING COLLECTORS**

Applications
Shaft Power/Electricity
Irrigation
Small Power Systems
Rankine Cycle Cooling
Heat
Industrial Process Heat
Absorption Cycle Cooling
Combined
Solar Total Energy
Storage Subsystems Studies
Technology Development
Collector Hardware Development
Collector Peak Performance
Performance Standardization
Storage
Long-Term Degradation

In the solar total energy program there are two large-scale experiments underway. One is to supply energy to military barracks at Fort Hood, Tex., and the other is to supply heat and electricity to a commercial textile plant in Georgia. Unlike the irrigation project, however, DOE has supported development of advanced collector concepts for solar total energy applications by contracts with General Atomics, General Electric, McDonnell-Douglas, Sheldahl, and Raytheon.

In support of the solar total energy program, DOE has funded a test facility at Sandia Laboratories in Albuquerque, N. Mex. The mission of this facility is to verify system concepts and test component hardware while providing power, heat, and cooling to a 1,200 m² office building. Also included is a facility to measure separately the efficiency of collector modules as a function of flow rate and temperature.

The distributed power systems program initiated by JPL is exploring some collector-receiver combinations that might be used for electric power production. Total energy is not being considered at JPL; instead, emphasis is placed on obtaining high temperatures in order to achieve high thermal efficiencies. As part of this program, JPL is developing technology for point focus distributed systems. Basic systems studies are being done, with all subsystem work on concentrators, receivers, and prime movers subcontracted to industry. JPL is planning to upgrade an existing facility at Edwards Air Force Base to test and evaluate hardware.

The application of distributed concentrating collectors to heating and cooling loads was addressed by a recent round of Request for Proposals (RFP) and Program Research and Development Announcements (PRDA) issued by DOE/ERDA [14,15] and administered by the Albuquerque Operations Office. The existence of, or the need for, test facilities was not mentioned in the documents. Several installations of concentrating collectors for air conditioning applications have been made by enterprising companies, but little useful data on their actual performance are available.

The application of the solar total energy concept to industrial needs using distributed concentrating collectors is under study through contracts recently let to McDonnell-Douglas and Atomics International by Sandia [14].

The potential market of solar energy for industrial process heat has been analyzed in several reports [9,10,11] with conflicting results. Many of the uncertainties in these results are due to the present lack of technical knowledge of process heat system performance and of the life-cycle cost of appropriate concentrating collectors; i.e., data input to the models.

3.2 PERCEIVED TEST NEEDS

To develop distributed concentrating collector systems, several kinds of testing and optimization studies are required. Component design, testing, and performance evaluation, system design, and system integration are all related in an iterative process. Long-term performance data on systems should be generated under operating conditions and should be thoroughly documented to obtain reliable life-cycle costs. Different systems need to be compared for operating and control strategies and under a variety of insolation and load conditions before appropriate choices and sizing can be engineered for commercial installations. In general, the capital outlay and effort to develop test facilities with the required versatility and extensive instrumentation cannot be justified by most collector manufacturers or commercial engineering firms.

Industry is reluctant to invest the large venture capital necessary to install solar energy systems to supply part of plant energy needs. This is especially true in the absence of well-documented operating, maintenance, and performance data on which life-cycle costing can be based. The availability for inspection and trial operation of facilities with hardware simulating anticipated industrial applications should be effective in persuading the commercial sector to utilize the solar resource.

The principal objectives of test facilities for distributed collector systems are given in Table 3-2.

Table 3.2 OBJECTIVES OF TEST FACILITIES

Test and document the thermal performance of subsystems under standard, well-defined, steady-state operating conditions in order to aid research in advanced technologies

Develop standardized procedures for testing subsystems under a variety of operating conditions

Validate analytical models for system performance

Accumulate and document operating and maintenance experience in order to assess system reliability, lifetimes, and life-cycle costs

Identify problems and/or areas for improvement in hardware that would aid the commercial sector

Operate integrated systems under a variety of loads and insolation in order to develop optimum operating strategies for various commercial applications

Stimulate industrial solar utilization by being available for inspection, trial operation, and operator training

3.3 PRESENTLY AVAILABLE FACILITIES

Several test facilities that could be used or adapted to the development of single concentrators and/or distributed collector systems have been identified from the literature, meeting reports, and by site visits. The initial list included: (1) Sandia Albuquerque's Midtemperature Solar System Test Facility, including the Collector Module Test Facility; (2) American Technological University (ATU)/Fort Hood, Tex., Solar Engineering Test Module; (3) JPL/Edwards Air Force Base point-focus, distributed-receiver technology test and evaluation site; (4) NASA/Marshall; (5) NASA/Langley; (6) NASA/Lewis; (7) Lawrence Berkeley Laboratory; (8) Argonne Laboratories; (9) University of Chicago; (10) NBS, Washington, D.C.; (11) Desert Solar Environmental Testing Inc., Ariz.; (12) Sheldahl/Suntec; and (13) General Atomic Company.

Data forms were prepared and completed in as much detail as possible for each of the listed facilities. The completed data sheets are included in Appendix A of this report.

In addition to these facilities, concentrating collector manufacturers identified from a recently published list [16] were contacted to see if they had facilities appropriate for inclusion in the survey. Three manufacturers responded to the inquiry. The capabilities reported by these manufacturers are also summarized in Appendix A. It is presumed that several of the manufacturers who did not respond have the ability to test their products but were not interested in public disclosure of their capabilities. Some foreign manufacturers such as the M.A.N. Company in West Germany are also known to have the capability to test concentrating collectors but they have not been researched for this report.

Few of the facilities listed are appropriate for supporting large or high level research programs, especially if system performance is addressed. Except for Sandia and NASA/Marshall the facilities are small test loops meant to characterize individual collectors and have no potential for system simulation. Some of these facilities were discussed in Section 2.0. The Sheldahl test loop is no longer operational. The remainder are considered here.

The short collector-to-source distance makes radiant heat facilities, such as that available at NASA/Lewis, unusable for testing concentrating collectors of any size; the small collector size and heat handling capabilities make them inappropriate for systems testing.

At Argonne Laboratories several small portable test loops [17] were designed for performance testing of nonimaging concentrators. Some loops can be operated at temperatures as high as 150°C by using ethylene glycol instead of water. A high temperature loop using Therminol 66 is operational for temperatures to 260°C. The calorimetric ratio technique is used to monitor the performance of test modules. Weather data and insolation measurements appear to be very good. Two test loops similar to those at Argonne (one for water, one for Therminol 66) are installed at the University of Chicago. The Chicago and Argonne loops are located in a hazy/cloudy climate and are potentially useful for measuring performance of focusing collectors under conditions of high circumsolar radiation.

The test loop at ATU/Ft. Hood [18] was installed to measure concentrating collector performance as part of the solar total energy large-scale experiment at that location. It can accommodate apertures to areas of approximately 40 m². The heat is discharged into the atmosphere. Due to a change in concept for this experiment the test loop is not presently in use and would require minor repair to become operational.

Desert Solar Environmental Testing Inc. (DSET) [19] is a commercial testing firm that is interested mainly in standard thermal performance testing of individual flat-plate collectors to ASHRAE specifications. A silicone fluid loop can test two different collector modules simultaneously to temperatures of approximately 350°C. Because no storage capability exists, the collected heat is discharged to the atmosphere by way of an evaporative cooler. The facility can handle one or two modules.

JPL has begun research on point-focusing receivers in support of a small power systems program and has established a test site using facilities existing at Edwards Air Force Base [20]. Included in the near-term plans are a 6-m dish, two 11-m dishes to be used as test beds for receivers and engines, and six 11-m low-cost concentrators. Operation at temperatures greater than 315°C with 8.6-MPa steam or 0.31-MPa air is anticipated. A computer-based data acquisition system is operational. The primary emphasis is on high temperatures and small heat engines for power production. In these systems the concentrator, receiver, and heat engine will form a modular unit that eventually will be tested together. A single test module is an order of magnitude too small to duplicate most industrial process heat requirements.

General Atomic Company has constructed a solar-heated test loop at San Diego, Calif., to demonstrate the operation of a eutectic salt as a heat transfer fluid. The facility uses six of the company's fixed mirror solar concentration modules and is designed to operate to 600°C using Dupont's HitecTM fluid. The test loop was constructed from commercially available stainless steel pipes and valves and uses trace heaters throughout to prevent freeze-up. Although initial project goals are expected to be met during the spring of 1979, the facility may have long-term value for component/material testing and salt loop O&M studies in the outdoor environment of an appropriate test site.

The NASA/Marshall installation [5] is intended to evaluate heating and cooling systems, subsystems, and selected components. The total aperture of active collectors that can be mounted is 400 m^2 . Present design limits on gauge pressure and temperature are 1 MPa and 120°C . Assembled from an unused NASA test station, the facility uses an existing computer for data acquisition and control. Long runs on the analog data lines and fluid loops decrease the measured accuracy of system performance. The facility is totally committed to testing heating and cooling components, including collectors from the DOE/ERDA demonstration program. As of this writing, the facility had not completed qualification for acceptance by DOE, and its utilization was less than 25%. Capabilities do exist for simulating collector outputs to 147 kW_t and cooling and heating loads equivalent to 36 kW_t .

Sandia Laboratories in Albuquerque, N. Mex., maintains a Midtemperature Solar Systems Test Facility (MSSTF) that consists of two separate facilities: a Collector Module Test Facility (CMTF) [21] and a Systems Test Facility (STF) [21].

The CMTF is used to obtain thermal and optical performance data for prototype collectors of up to about 45-m^2 aperture. It has three separate fluid loops that can be used on three simultaneous tests. One fluid loop incorporates a turntable on which a collector module can be mounted to follow the sun. Collector modules may be tested using water up to 315°C or a heat transfer oil up to 425°C . A collector test takes from four to twelve weeks.

The STF consists of solar collector fields, high- and low-temperature thermal storage facilities, an electrical power generation subsystem, a lithium-bromide absorption air conditioner, an instrumentation and control system, a weather station, and loads. The loads may be cooling towers, a turbine/generator that can produce 32 kWe and about 200 kWth, and/or a nearby $1,100\text{-m}^2$ office building. STF components are evaluated for potential incorporation into solar total energy dispersed solar power application projects. STF equipment can test separately or as part of a system configuration, all components and subsystems that may comprise a solar energy system in the midtemperature range (200°C - 425°C).

SERI intends to establish the capability for hands-on study of individual collectors, collector fields, and solar process heat systems. A field test site is under construction. A Standard Module (STAM) [22] is under construction and will be installed in the near future. It consists of a modest-sized test loop capable of handling the 25-kW_t output from a maximum 40-m^2 aperture collector. Three test stations, any two of which can be operated simultaneously, are planned. One station is a rotating platform that can track the sun. The installation is instrumented with state-of-the-art transducers and connected to a digital data collection and processing system. Initial design is for operation using either water or Therminol 66. This equipment will provide a versatile test facility capable of testing concentrating collector performance.

Already installed at the SERI test site and referred to as the Subsystem Technology Development Facility (STDF) is a tracking paraboloidal dish concentrator with an aperture of approximately 28 m^2 . A second identical dish is planned for the near future. Instrumentation will be added for conducting basic research in heat transfer, fluid mechanics, materials for heat transfer and storage, and for analyzing advanced systems with capabilities leading toward commercialization of high temperature ($>300^\circ \text{C}$) thermal conversion applications.

Initial procurement efforts are underway at SERI as part of the development of the SERAPH (Solar Energy Research and Applications in Process Heat) field installation. SERAPH is a flexible, modular facility that will assist the engineering development of complete solar systems. Early use of the facility (to become operational in FY80) will be directed toward solar industrial process heat systems. The capability will exist to introduce collector field subsystems (up to approximately 500 m²), thermal storage devices, test articles (e.g., steam generators, chillers) and load demand, and profiles characteristic of specific industrial processes. An auxiliary energy source will be available to augment field output or to simulate collector field output, representative of other geographic locations.

Two experimental systems that test distributed concentrating collectors have been developed outside of the United States. They are described briefly here, with further details available in a paper presented by J.D. Walton at the SERI Concentrating Collector Technology Symposium [23]. One of them is a plane-parabola system being developed by Hitachi, Ltd. in Tokyo [23, p.248]; it has the potential for testing operating strategies and storage subsystems as well as their unique concentrator and receiver components. It utilizes a unique configuration of 5 rows of 20 flat mirrors that track the sun and direct its radiation onto 5 parabolic trough concentrators. The concentration ratio of the quasilinear focus system is designed to be 152. Twenty of these units will be interconnected to provide a total heliostat area of 9,000 m² with an expected output of 1.0 MW of electric power. A pilot plant using fewer modules is scheduled to begin operation in July 1980.

A tracking solar concentrator/receiver unit developed by J. L. Pierrier is located in Angers, France [24]. The unit has potential as a module in a distributed collector system and as a test bed for receiver subsystems. It consists of some 263 mirrors mounted on a frame, 8.6 m high by 12 m wide. They reflect the sun's radiation into a focal zone approximately 5 m in front of the plane of the concentrator and give a concentration ratio on the order of 200. The thermal power collected by this system is approximately 50 kW.

3.4 CONCLUSIONS AND RECOMMENDATIONS FOR DISTRIBUTED, CONCENTRATING COLLECTOR TEST FACILITIES

Several facilities (NASA/Lewis, NBS, Brookhaven, NASA/Langley, and LBL) presently have no capabilities for testing concentrating collectors. Some (DSET, Argonne, Ft. Hood, and Sandia CMTF) can test individual collector modules but can perform no system studies. Although any existing facility could in principle be upgraded to handle concentrating collectors at high temperatures or system studies, substantial effort such as adding storage and replacing piping to handle higher pressures would be required. Most existing facilities are being used extensively in support of existing DOE programs; upgrading them to handle process heat studies does not seem to be economically attractive.

Only the Marshall test facility is currently underutilized. It was designed for flat-plate collectors and low-temperature applications for heating and cooling. It would require substantial money and effort to add high temperature capabilities and instrumentation for solar process heat applications.

For the near future the Sandia facility is devoted to the support of the solar total energy program. Although it could be converted to process heat development, the present

MSSTF would need modification to simulate a variety of industrial load applications that require high pressure water storage and the use of steam or high pressure water for heat transfer from the collector field.

None of the existing facilities is equipped to simulate a wide variety of process heat applications and to educate the industrial/commercial sector by providing "hands-on" experience appropriate to their applications. In light of industry's reluctance to invest in untested or unproven technologies, access to appropriate facilities would seem to be essential if an ambitious DOE plan to utilize the solar resource for process heat applications is to succeed. In addition, none of the existing facilities is adequate for doing basic research in heat transfer and storage technologies on a modest scale or for testing high performance receivers and systems suitable for commercial tasks in high temperature thermal conversion (300°C).

The capabilities of existing and planned facilities in meeting the needs of a distributed collector program are summarized in Fig. 3-1.

From data on existing facilities and from the anticipated needs for various facilities, the following specific recommendations are made.

- Sandia Continue present program in total energy system development and short-term collector testing at temperatures below 300°C.
- JPL Establish SPS (point focus) test site.
- SERI Use STDF point focus dishes for high temperature (T>300°C) and advanced solar energy research; install STAM test loops for standards research; establish SERAPH facility for research into solar process heat applications.
- ATU/Ft. Hood Due to change to small central receiver design, the test loop is no longer needed. Support should be stopped and loop disassembled or moved.
- General Atomic Test loop is unique and should continue to be supported in the near future. However, consideration should also be given to relocating it at a national laboratory.
- Argonne
Univ. of Chicago Continue low level support.
- NASA/Marshall
NASA/Langley
NASA/Lewis
NBS
Brookhaven Should not be upgraded to handle concentrating collectors

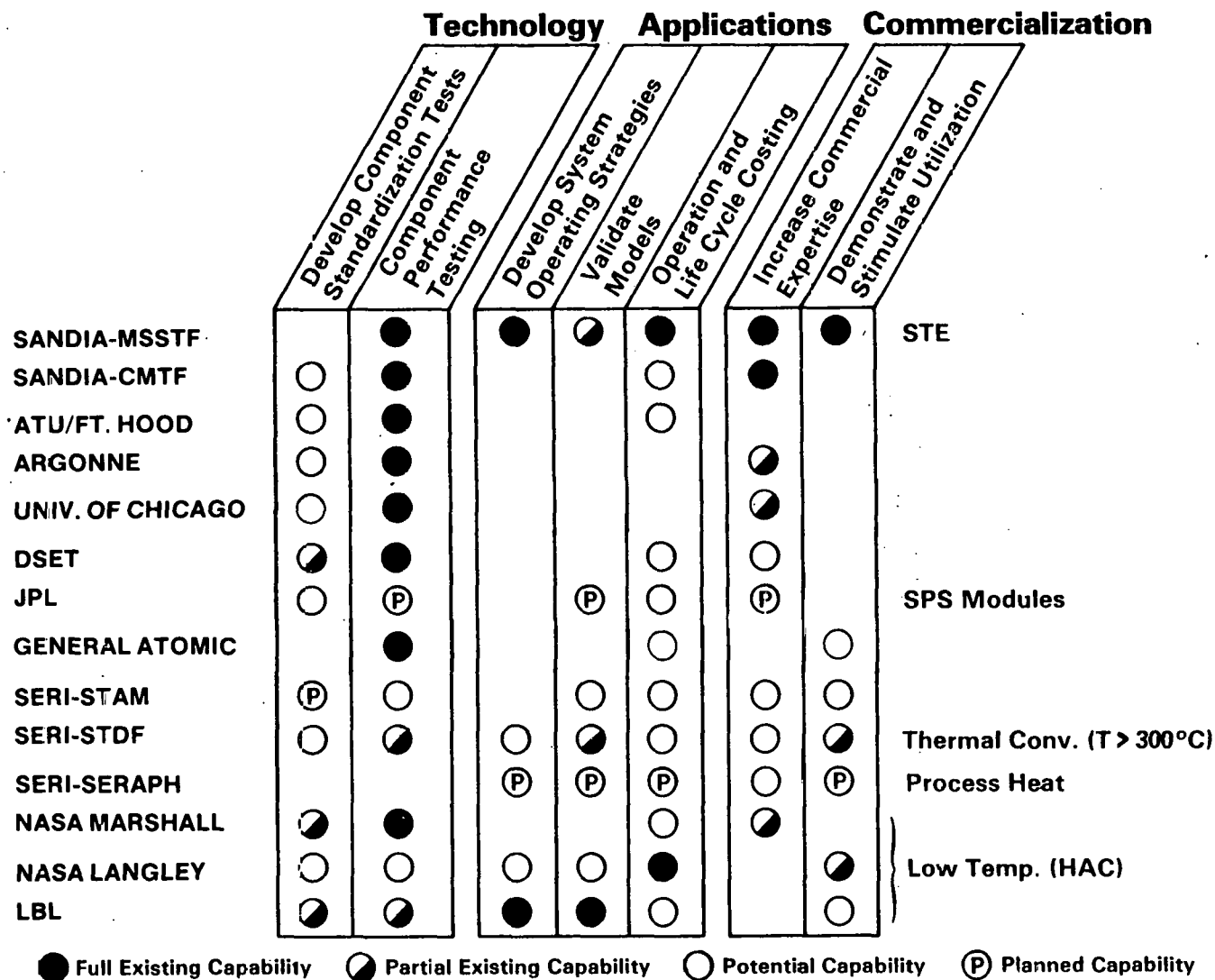


Figure 3-1. Capability of Existing or Planned Facilities in Meeting Objectives



SECTION 4.0

CENTRAL RECEIVERS

A central receiver system has a large number of separate mirrors (heliostats), each controlled separately to reflect an image of the sun onto a fixed thermal converter or receiver. The heliostats can be controlled individually by analog or computer tracking mechanisms, or they can be ganged together for control by a common mechanism. The fixed receiver is usually located on a tall tower.

The central receiver system can be an alternative to distributed systems for producing solar thermal energy. It is attractive where further conversion to shaft power can benefit from higher temperatures and greater cycle efficiencies. Central receivers may also be necessary to provide high temperatures for certain industrial processes or to produce hydrogen for secondary fuels. Early studies indicated that the optical transmission of energy to a single receiver is more economical than thermal transmission by a working fluid as in distributed receivers [25]. Furthermore, economies of scale should be realized in plants to the 10- to 100-MW electrical size. For these reasons DOE has an active program to demonstrate the technical feasibility of central receiver systems.

4.1 PRESENT PROGRAM AND PERCEIVED TEST NEEDS

A present DOE program objective for central receivers [26] is to establish their economic viability as a resource for electric utilities by the mid 1980s. To accomplish this there is a near-term effort to demonstrate storage-coupled central receiver systems. A 10-MW electrical generating plant is to be operational by 1981 at Barstow, Calif; the plant will feed power into the utility grid of the Los Angeles area. Other major directions of the program are to supply heat for tertiary oil recovery and to repower existing fossil-fueled generating plants by supplementing their conventional boilers with heliostat fields and tower receivers. The first of these "solar-fossil hybrids" may begin operating in 1983.

Although the technologies are available to accomplish these goals, their economics have not been demonstrated. In fact, modification of the systems to lower the cost will probably include new or modified technologies requiring substantial testing. Examples are the low-cost heliostat development program, high-temperature Brayton cycle engines, and accompanying ceramic receivers.

More recently, an interest has emerged in applying central receiver concepts to industrial and process heat for fuels and chemical production. Many of the technologies for commercializing this application, from basic concepts to pilot plant, need substantial development and testing.

Clearly, if DOE is to accomplish its goals, facilities to test and verify technology are necessary. The specific test needs for the central receiver projects are listed in Table 4-1. They are somewhat different from those listed in Table 3-1 for distributed concentrating collectors, emphasizing research and development testing instead of standardization.

Table 4-1. TEST NEEDS FOR CENTRAL RECEIVER SYSTEMS

Test and document performance of systems, subsystems, and components in order to develop and verify technologies.

Identify problems and areas for improvement in which the industrial sector could participate and which would speed commercialization of technologies.

Accumulate data on the reliability, lifetime, and life-cycle costs of systems and subsystems. This may involve accelerated degradation techniques.

Stimulate solar utilization by providing a working facility with which industry can identify, and which they can inspect, in order to aid in planning and decision making for their potential installations.

Be available for developing appropriate test procedures for subsystems and systems. However, except for heliostat production, it is felt that many installations will be designed to match specific applications, and no single standardized test procedure would be applicable.

As a result of the limited number and large size of the proposed central receiver installations, only one or two expensive test facilities can be justified. The cost of such facilities is substantially greater than the industrial sector can or will support. It is also clear that because of the high cost of such facilities, considerable testing of components, system operation, and lifetimes will continue to take place at the large experimental and prototype installations. For some time, successive generations of central receiver systems will be modified and improved because of changes dictated by previous user experience, in a manner similar to the historical development of fossil-fueled plants.

4.2 PRESENTLY AVAILABLE FACILITIES

Several facilities now in operation either have been designed for testing central receiver systems, subsystems, or components or could be used for such tests. They are the 5-MW Central Receiver Test Facility (CRTF) at Sandia Laboratories in Albuquerque, N.Mex.; the 1-MW Centre National de la Recherche Scientifique (CNRS) solar furnace at Odiello, France; the 400-kW Advanced Components Test Facility (ACTF) at Georgia Institute of Technology in Atlanta, Ga.; and five smaller furnaces in the 25-45 kW range in the United States, Japan, France and North Africa. In addition, there is a 400-kW facility utilizing a 25-m diameter surplus radar antenna in the design stage at the White Sands Missile Range. Several radiant heat flux facilities built for aerospace programs could also be used for testing receiver components. They are described in detail in Appendix C. The details of the CNRS furnace and the White Sands 35-kW furnace are also included in Appendix C. Specifications of the facilities are given in the table of Appendix B and supplement the description given here.

5-MW_t Central Receiver Test Facility (CRTF), located at Sandia Laboratories in Albuquerque, N.Mex., is the largest facility presently available for testing central receiver components and subsystems. It is suitable for testing scale models of receivers for the larger demonstration pilot plants, for commercial installations, and for advanced gas or liquid-metal cooled receivers. It is also testing succeeding generations of

heliostats and instrumentation systems for use with future solar thermal plants. During many of the tests, the facility will be used to train engineers and technical personnel to operate future commercial plants.

The CRTF energy collection field presently has 222 heliostats that may be located in either a northern field or in an annular distribution around the tower. Under ideal conditions they can deliver approximately 2.4 MW/m^2 target irradiance and temperatures over $2,000^\circ\text{C}$. Each heliostat has an area of approximately 40 m^2 and is controlled individually by a master computer system. This allows considerable flexibility in controlling target irradiance and heliostat stowage.

The CRTF receiver tower rises 61 m above ground and is approximately 15 m in diameter. Experiments can be located in test bays at the 36.6 m, 42.7 m, and 48.8 m levels or on top of the tower. Elevators and hoists can lift up to five tons up the outside of the tower, or 100 tons can be raised by a lifting module inside the tower. Utility chases up the sides of the tower contain feed water pipes, high pressure steam lines, compressed gas lines, and electrical power lines for servicing the thermal and electrical power loads of the imagined experiments. A heat rejection system capable of dissipating the energy collected by receiver experiments is located on the ground at the base of the tower. A nominal 1-MW thermal working receiver containing 81 heat flux gauges is part of the CRTF and is available for diagnostic and experimental work. In addition, a real-time aperture scanning flux system is available for generating highly accurate flux maps during receiver testing.

The CRTF uses a multicomputer, distributed control system to control the heliostats, heat rejection, water treatment, and other functions. The computers used to record and analyze data, control the heliostat field, transmit data from the test bay, and collect data at the meteorological stations are all connected in a master network. An integral part of this computer-based master control system is an extensive data acquisition capability. This allows flexibility of operation and will handle over 500 channels of thermocouples and strain gauges. Also available is the Helios computer program that models the optical performance of the CRTF. Verifying this model with data from CRTF experiments has enabled performance of central receiver systems to be predicted more accurately at a variety of geographical locations.

Potential users of this facility should obtain a copy of the user's manual [27] (SAND-77-1173) from the Solar Thermal Test Facility Users' Association, Suite 1204, First National Bank Building, East Albuquerque, N. Mex. 87108. The manual contains detailed descriptions of the facility components and gives administrative and procedural guidelines for experiments.

As of October 1978, the CRTF was fully operable. The first test on an experimental receiver has been completed.

400-kW Advanced Components Test Facility. This is a tracking heliostat/central collector design patterned after Professor Giovanni Francia's solar steam generating facility located near Genoa, Italy. Operated by Georgia Institute of Technology's Engineering Experiment Station for DOE, the facility is located on the campus of Georgia Institute of Technology in downtown Atlanta, Ga. It is a relatively flexible test facility with the primary purpose of encouraging research and development in high temperature solar technology. It is well-suited for testing central receiver components such as boilers or air and liquid heaters, high temperature materials or chemical reaction systems, and high flux photovoltaic conversion systems and will be useful in educating test engineers in the operation of small central receiver systems.

The heliostat field consists of a large number (550) of 1.1-m diameter mirrors, each focused to give an image of the sun at the receiver and driven in unison by mechanical linkages to a master electric clockwork drive mechanism. The mirror field is in the shape of an octagon approximately 38 m across and centered below the receiver. The focal zone is 21.3 m above the mirror plane and has a rim angle of approximately 45°. The original articulated tower supporting the receiver has been replaced by a stronger and more versatile rigid test stand with a 4 m by 4 m work platform that can support a 9.1-ton test object. Major test components are lifted into place by a mobile crane, while access to the top of the platform is provided by a permanent work hoist. The utilities available at the work platform include a 5-cm water line with gravity drain, 110 VAC-100 amp single-phase and 208 VAC-150 amp three-phase electrical service, 620 kPa compressed air service, and a flexible conduit system for user instrumentation wiring.

A computerized data acquisition system is available at the facility to record, reduce, and display data. The system has two 16,000-word minicomputers with peripherals and a multiplex analog to digital converter. One of the computers is located on the work platform of the test tower as an interface to the 120-channel multiplexer system expandable to 1,024 channels, which transmits data to the second computer located in the control building on the ground and serves as master controller for the system. A programmable gain amplifier enables each input channel to service a wide range of sensitivities and transducers. Signal conditioning equipment presently available at the facility includes (1) a thermocouple cold junction reference with as many as 52 channels of any type of thermocouple; and (2) 40 channels of strain gauge bridge completion circuitry. Standard flow rate, pressure, and fluid level transducers can be accommodated without additional signal conditioning. A scanning flux calorimeter is also available to measure flux levels and integrated power at the entrance aperture of a receiver or other test object. A heat rejection and feed water circulation system that includes condenser, feed water pump, desuperheater, vacuum pump, and valves is located on the ground at the edge of the heliostat field. A 550-kW water-to-air cooling tower is also available at the site.

A potential user should obtain a copy of the Users' Manual/Management Plan [28] which also includes sections on test scheduling and facility policies and procedures. The manual should be available from either Georgia Institute of Technology or the Solar Test Tower Facility (STTF) Users' Association.

35-kW White Sands Solar Furnace. The White Sands furnace was originally built in 1958 at Natick, Mass., for the Quartermaster Research and Engineering Center. It was relocated to the White Sands Missile Range in New Mexico in 1973. It is similar to the larger Odiello furnace in design, except that it utilizes only one 137-m² heliostat and a fixed spherical concentrator with a focal length of approximately 11 m. The rays are focused into a test chamber that is approximately 2.5 m by 2.5 m in cross section normal to the optical axis and 5 m in length. The image size is approximately 12 cm in diameter with a peak irradiance of some 400-W/cm² near the center. The facility has a beam attenuator for varying sample irradiance and a water-cooled fast shutter for shaping exposure pulses. An ongoing effort is being made to upgrade the facility by refurbishing mirror facets and adding more instrumentation and an instrument trailer below the test chamber.

Although this furnace is of limited utility for testing central receiver components and subsystems because of the small solar image, it is useful for testing materials that might be incorporated into them and for studying solar chemical processes that show economic potential. In addition to Appendix C, a source of information for potential users is the

STTF Users' Association and the Experimenter's Guide for the White Sands Solar Facility [29].

350-kW White Sands Solar Furnace. Presently in the planning stage is the conversion of a surplus 25-m diameter radar antenna located on the White Sands Missile Range into a tracking point-focus solar furnace [30]. A Cassegrain optical system will be used to produce an image approximately 30 cm in diameter near the vertex of the dish. Under consideration is the possibility of using a compound parabolic concentrator as a reconcentrator element to provide more uniform irradiance over the exposure area. The test chamber at the vertex of the dish is approximately 20 m above ground level. Water, electric, and high pressure air lines will be provided to the test area. A water-cooled stop and fast shutter are also planned. A minicomputer control and data logging system with some 40 input channels will support the installation. The project is being supported by several government agencies including the Department of Defense and the Department of Energy and is expected to be in operation during early 1981.

Several solar furnaces located outside of the United States are potentially usable for solar thermal conversion research. Seven of them are discussed briefly here and are included in the table of Appendix B.

1-MW CNRS Solar Furnace. This solar furnace is located in the Pyrenees Mountains at Odiello-Font Romeu, France. It was established by the CNRS, began operation in 1970, and has seen considerable use in high temperature material studies and metallurgy of refractory metals and compounds [31]. It was also used recently to test a 1-MW cavity-type thermal receiver for the U.S. Department of Energy under a subcontract to Georgia Institute of Technology [23, p. 253-4]. It has a field of 63 heliostats, each 45 m², that are installed on a sloping southern exposure. The heliostats are controlled by a servoed tracking system to reflect energy from the sun horizontally into a large 2,000-m paraboloid with an 18-m focal length. The rays converge to a focus that is about 20 cm in diameter and has a peak irradiance of 1.6 kW/cm². Further data on this facility are given in Appendix C. However, little information was available on instrumentation and data handling capabilities at the site. Potential users of the CNRS furnace should contact the STTF Users' Association, noted previously, for details. It is expected that an experimenter's guidebook will be available in the future.

45-kW CNRS Montlouis Furnace. This was the first large solar furnace built. Constructed at Montlouis in the French Pyrenees in 1950 by Professor F. Trombe [32], it is essentially identical to the White Sands 35-kW furnace. It has a single steerable heliostat to direct the sun's rays along an axis horizontal to a fixed parabolic concentrator. The furnace provides a peak irradiance of 1.2 kW/cm² and maximum temperature in excess of 3,000°C. The success of this furnace led to its use as a prototype for three other single heliostat furnaces built over the next 20 years, including the one at White Sands. It also served as a model for the larger 1-MW CNRS furnace at Odiello. The furnace is being moved to a new location outside the military complex and is expected to resume operation in late 1979.

45-kW French Army Furnace. In 1972 the French Army began operating a 45-kW thermal solar furnace at Odiello, only a few hundred metres from the 1-MW CNRS solar furnace [33]. It was designed on the same principle as the Montlouis furnace and has been used mainly by the French Army for nuclear thermal effect studies. Its significant features include the use of first-surface aluminized mirrors on the spherical concentrator and the largest single plane heliostat in use.

35-kW Sendai Solar Furnace. The Tohoku University at Sendai, Japan, also has a solar furnace [34] constructed on the principles of the furnace at Montlouis. However, the mirrors on both the heliostat and the paraboloid concentrator are front-surface aluminized glass, and the heliostat is composed of flat mirrors in a stair-step arrangement. The aluminized first-surface mirrors are protected by a unique thin vinyl coating that apparently does not attenuate the ultraviolet portion of the solar terrestrial spectrum.

25-kW Bouzareah Tracking Paraboloid Furnace. At the same time the Montlouis furnace was being established, the Organisme National de la Recherche Scientific (ONRS) was developing a solar furnace at Bouzareah, Algeria. It consists of an electropolished aluminum paraboloidal dish with a diameter of 8.14 m and focal length of 3.14 m. The power originally provided by this facility was estimated as about 25 kW. However, over the 15 years of operation the mirror reflectivity and solar image have degraded somewhat.

Two foreign installations might be classified more correctly as experimental thermal conversion systems rather than solar furnaces. Although their primary use is in testing a particular system concept for concentrating solar energy for thermal power applications, they could also be used for testing certain types of receivers or components.

100-kW Francia Demonstration Unit. This unit, built in 1967 at St. Ilario, Italy, by Professor Giovanni Francia of the University of Genoa [35], served as a model for the recently completed Georgia Institute of Technology ACTF. The facility uses 271 flat mirrors, 1 m in diameter, and a receiver 9 m above the center of the field. With a direct insolation of 0.9 kW/m^2 , this facility produced 150 kg of steam per hour at 150 atmospheres and 500°C , for an overall efficiency of 70%.

40-kW Mitsubishi Demonstration. The second installation that is of similar design is the tower system constructed during 1976 by Mitsubishi Heavy Industries, Ltd., at the Hiroshima Technical Institute, Hiroshima, Japan [36]. The facility has 88 heliostats with a total mirror area of 97 m^2 , a 15-m test tower, a test receiver, and thermal loop. The heliostats operate on the same principle as the kinematic motion device developed by Professor Francia. Data obtained with this receiver predict a thermal efficiency of 78%, with a surface temperature of 300°C and an output of approximately 40 kW of thermal power. Based on the 40-kW facility, Japan is designing a 1-MW electrical pilot plant using 850 heliostats (each 16 m^2) with a steam receiver at the top of a 68-m tower that is scheduled to begin operation in November 1980.

There are several additional furnaces in Europe and Russia that are either in the planning stages or for which little data were available at the time of this writing. In France a 2.7-MW_e central receiver facility is planned at Targasonne, about 10 km west of Odeillo. It is anticipated that the facility will be finished in 1981 and will be used for testing system components. Spain is planning to have three installations near Almeria. One is a 1-MW_e central receiver funded by the European community and involving many of the same design team as at Targasonne. The second is a 500-kW_e facility funded and planned by the IEA. It has been reported that the third facility near Almeria is being planned by the Spanish government. The Italians are planning a 1-MW_e concentrator to be built on Sicily. Finally, Russian facilities are known to exist in Crimea and near Tashkent. Again no details were available.

Solar Simulators and Radiant Heat Facilities. In closing this section, mention should be made of six radiant heat facilities and six solar simulators identified by the Aerospace

Corporation [1] as having potential for testing components for the solar thermal program. Since the names and the details are available in that report, attached as Appendix C, only general comments are appropriate here. These facilities are all electrically powered and, except for one solar simulator requiring 140 kW, they require 23- to 74-MW electrical power for operation. In general, the simulators can be focused to provide effective concentration ratios from 1 to over 1000 for varying test areas. The flux levels available in the radiant heat facilities are reported to be greater than 100 W/cm² from quartz lamps and over 400 W/cm² from graphite radiant heaters in two of the installations. Test areas as large as 3 m by 3 m and as high as 5 m, depending on the facility, can be obtained. The major drawbacks of these facilities for testing solar thermal systems components are threefold. First, their size and finite source-to-collector distance make them inappropriate for testing concentrators or heliostat optical performance. Second, the spectral content of the source does not match that of the solar spectrum, especially for the radiant heat facilities, which have large amounts of infrared power with very little power in the visible wavelengths. Finally, the large electrical power requirements make them inappropriate for steady-state tests or degradation studies, which require operation over extended periods. However, there are undoubtedly tests for which these facilities could be utilized, and thus they should be kept in mind by the solar thermal research community.

4.3 CONCLUSIONS AND RECOMMENDATIONS FOR CENTRAL TEST FACILITIES

The existing and planned solar furnaces and test facilities cover a wide range of designs and sizes. This diverse set of facilities appears to meet the present and planned needs of the DOE Solar Central Receiver Program. Unless the volume of testing becomes too heavy in the future and a clear need develops, the construction of any additional facilities in this class should be avoided. Since nothing short of large solar furnaces can duplicate the thermal and spectral energy needed to demonstrate the feasibility of receiver subsystems, the radiant heat facilities and solar simulators previously constructed by the aerospace industry appear to be of limited utility for this purpose.

Several solar furnaces in Europe, northern Africa, and Japan offer the possibility of international cooperation in solar thermal research and a greater opportunity for subsystem and component tests by experimenters. The Solar Thermal Test Facility Users' Association [37] provides a central contact for anyone proposing to use these large test facilities for experimental work. The association provides a necessary coordination function, which includes helping the experimenter determine which facility is appropriate for the test; providing additional literature and documentation on the facilities; and assisting in pretest administration and procedural matters. Presently the association also has a limited amount of funding available for implementing experiments.

SERIO 

SECTION 5.0**REFERENCES**

1. Aerospace Corporation. Central Receiver Solar Thermal Power System: Review and Summary of Available Test Facilities. Report No. ATR 75(7370)-2, NTIS Access No. PB 243.
2. Wahlig, M.; et al. Control System for Solar Heating and Cooling. Lawrence Berkeley Laboratory, LBL-4436, Aug. 1975.
3. Simon, F. Flat-Plate Solar Collector Performance Evaluation with a Solar Simulator as a Basis for Collector Selection and Performance Prediction. NASA Technical Memorandum, NASA TMX-71793, 1975.
4. Simon, F. and Buyco, E. in "Radiative Transfer and Thermal Control—Progress in Astronautics and Aeronautics." Vol. 49, editor Allie M. Smith. American Institute of Aeronautics and Astronautics, New York, N.Y., 1976.
5. NASA/Marshall Document SHC-2009. Dec. 1, 1975, and private communication.
6. American Society of Heating, Refrigerating and Air-Conditioning Engineers, Inc. Methods of Testing to Determine the Thermal Performance of Solar Collectors. ASHRAE Standard 93-77, New York, N.Y., 1977.
7. HUD-PDR-189-8, Mar. 1978.
8. Niessing, W. J. Laboratories Technically Qualified to Test Solar Collectors in Accordance with ASHRAE Standard 93-77: A Summary Report. NBSIR 78-1535 National Bureau of Standards, Nov. 1978.
9. The MITRE Corporation. Systems Descriptions and Engineering Costs for Solar Related Technologies, Vol. III. Report No. MTS-7485, June 1977.
10. InterTechnology Corporation. Analysis of the Economic Potential of Solar Thermal Energy to Provide Industrial Process Heat. Report No. COO/2829-76-1, Feb. 1977.
11. Solar Energy Research and Development: Program Balance: Vol. 1,2. HCP/M2693-01 and -02. Prepared for U.S. DOE by Stanford Research Institute, Feb. 1978.
12. Treadwell, G. W. and Grandjean, Norman. "Annual Performance Comparisons of Parabolic Trough and Flat Plate Collectors Based on Measured Insolation." Proceedings of Concentrating Solar Collector Conference/Workshop. Georgia Institute of Technology, Atlanta, Ga., Sept. 26-28, 1977.
13. Collares-Pereira, M. and Rabl, A. Simple Procedure for Predicting Long Term Average Performance of Nonconcentrating and of Concentrating Solar Collectors. Argonne National Laboratories, Report ANL 78-67.

14. U.S. Department of Energy, Division of Solar Technology, Washington, D.C. 20545. Solar Thermal Power Systems: Program Summary. DOE/ET-0018/1, January 1978.
15. DOE/ERDA, RFP EG-77-R-04-0022; PRDA EG-77-D-29-002.
16. Solar Age 3, Feb. 1978. p. 12.
17. Reed, Kent. Argonne National Laboratories, Argonne, Ill., personal communication.
18. French, Bob. American Technological University, Fort Hood, Tex., personal communication.
19. Desert Sunshine Exposure Tests, Inc., Box 185, Black Canyon Stage, Phoenix, Ariz. 85020. Specification DSET 75-SE2, 2nd Revision, Jan. 10, 1978.
20. Jet Propulsion Laboratory, Pasadena, Calif. Point Focusing Distributed Receiver Technology Project Management Report No. 12, Jpl 5104-27, Aug. 1978 and personal communication with Darrell L. Ross.
21. Solar Thermal Energy Test Facilities Project—Semiannual Reports. SAND 76-0167, SAND 76-0205, SAND 76-0425, SAND 76-0662, and SAND 77-0738.
22. Castle, Jim. STAM: SERI Standard Module for Collector Evaluation. SERI/TR-34-043. Aug. 1978.
23. Walton, J.D. Jr. "International Development in Concentrators." Proceedings of the Solar Thermal Concentrating Collector Technology Symposium, Jun. 14 and 15, 1978. Gupta, B.P. and Kreith, F., editors. SERI/TP-34-048, Aug. 1978.
24. Perrier, J.L. "Capteur Solaire a Concentration." Revue Internationale d'Heliotechnique, 2, 1977. pp. 54-55.
25. Peters, Phillip J. "Comparative Technical Evaluation of Solar Collectors" in Proceedings of Society of Photo-Optical Instrumentation Engineers. (SPIE). Vol. 68, Optics in Solar Energy Utilization, 1975.
26. SERI, Golden, CO. Presented at DOE Thermal Power Systems Planning Seminar. Feb. 13-14, 1978.
27. Sandia Laboratories, Albuquerque, N.M. 87115, Solar Thermal Test Facility Experiment Manual SAND-77-1173.
28. Engineering Experiment Station, Solar Energy and Materials Technology Division, Georgia Institute of Technology, Atlanta, Ga. 30332. Users' Manual/Management Plan - Advanced Components Test Facility. Apr. 1978.
29. Nuclear Weapons Effect Branch, Applied Sciences Div., Army Material Test and Evaluation, White Sands Missile Range, N.M. 88002. Experimenter's Guide, White Sand Solar Facility (WSSF). 1977.

30. Hull, W.C. "The White Sands Missile Range 400 kW Solar Furnance—Project Review" in Proceedings of Annual Meeting Technical Sessions, Solar Thermal Test Facilities Users' Association, 11-12 Apr. 1978, Golden, Colo.
31. Trombe, F. and Royere, C. New Mexico State University, Las Cruces, N.M. "CRNS 1000 kW Solar Furnance" in Proceedings NSF International Seminar on Large Scale Solar Energy Test Facilities, Nov. 18-19, 1974. pp. 137-186.
32. Trombe, F. "Les Installations de Montlouis et le Four Solaire de 1000 kW d'Odeillo-Font-Romeu." Colloques Internationaux du Centre National de la Recherche Scientifique, No. LXXXV, Application Thermiques de l'Energie Solaire dans de Domaine de la Recherche et de l'Industrie Montlouis, June 23-28, 1958. pp. 87-128, CNRS, Paris, 1961.
33. Meunier, R.M. "Caracteristiques et Objectifs des Fours Solaires du Laboratoire Central de l'Aemement." In Rev. Int. Htes Temper, et Refract. 1973, t. 10, pp. 297-302.
34. Sekurai, T. New Mexico State University, Las Cruces, N.Mex. "Study on the Solar Furnace Instrumentation in Tohoku University." Proceedings NSF International Seminar on Large Solar Energy Test Facilities, Nov. 18-19, 1974, pp. 67-97.
35. Francia, G. New Mexico State University, Las Cruces, N.M. University of Genoa Solar Furnace. Proceedings NSF International Seminar on Large Scale Solar Energy Test Facilities, Nov. 18-19, 1974, pp. 99-136.
36. Nakamura, N. Solar Energy Collecting Test Apparatus. In-house paper of Mitsubishi Heavy Industries, Ltd., 1976-1977.
37. Solar Thermal Test Facilities Users' Association, Suite 1507, First National Bank Bldg., East, Albuquerque, N.Mex. 87108.

SERI 

APPENDIX A

**A.1 DATA SHEETS FOR SURVEY OF SOLAR THERMAL TEST FACILITIES
DISTRIBUTED CONCENTRATING COLLECTORS**

FACILITY SURVEY DATA SHEET: Distributed Systems

Name: Solar Engineering Test Module

Location: American Technological University, Killeen, Texas

PURPOSE

Testing concentrating collectors in support of the ATU/Fort Hood Solar Total Energy Military Large-Scale Experiment (LSE No. 1)

CAPABILITIES AND DESCRIPTION

- A. Collectors
 - 1. Types - Varies; concentrators
 - 2. Numbers and Size - Varies; concentrators
 - 3. Total Area - 40 m² aperture maximum
 - 4. Mounting Structures - None; pad available

- B. Heat Management
 - 1. Temperature Range - 280°C
 - 2. Pressure Range - 7.2MPa
 - 3. Working Fluids - Water
 - 4. Flow Rates - 0.1-0.5 l/s
 - 5. Load Applications - None
 - 6. Supplementary Sources - Resistance preheater at collector inlet

- C. Storage - None presently; may be added at a later date

- D. Data Acquisition and Management
 - 1. Computer - Acurex Autodata Nine
 - 2. Data Channels (analog/digital) - 40 (digitized)
 - 3. Sample Rate - Capabilities up to 10 sec/data set
 - 4. Transducers - Thermocouples and RTD's, Turbine flowmeters
 - 5. Accuracy - Temperature $\pm 0.3^{\circ}\text{C}$, Flow $\pm 0.1\%$
 - 6. Meteorological - NIP, 30° clear pyranometer, windspeed and direction
 - 7. Storage - Printed tape
 - 8. On-Line Fluid Analysis - No

- E. System Control
 - 1. Type - Manual or auto (Acurex Unit)
 - 2. Operator Qualification - Not known
 - 3. Human Engineering - Manual or auto control

USES

Presently not being used and is no longer applicable to the revised Fort Hood System Design.

NOTES

Contact: Bob French, (817) 526-1168

FACILITY SURVEY DATA SHEET: Distributed Systems**Name: Argonne Solar Energy Test Facility****Location: Argonne National Laboratories, Argonne, IL****PURPOSE****Characterize performance of stationary or seasonally adjusted nonimaging concentrating collector modules****CAPABILITIES AND DESCRIPTION**

- A. Collectors**
 - 1. Types - Various nonfocusing concentrators
 - 2. Total Area - 20 m² each loop
 - 3. Mounting Structures - 2 aluminum alt-azimuth mounts, 3 adjustable steel frames, and 4 aluminum frames fixed at latitude

- B. Heat Management (Three portable and one fixed loops)**
 - 1. Temperature Range: Ambient - 260° C
 - 2. Pressure Range: ~800 kPa;
 - 3. Working Fluids: Water, ethylene glycol, T66
 - 4. Flow Rates: ~0.1 l/s
 - 5. Load Applications - discharge to heat exchanger
 - 6. Supplementary Sources - Emersion heater to control inlet temperatures

- C. Storage - None**

- D. Data Acquisition and Management**
 - 1. Computer - Data General Nova with Camac interface and Doric 100 pt. data logger
 - 2. Data Channels (analog/digital) - 50 channels each Camac module
 - 3. Sample Rate - Up to 20/s
 - 4. Transducers - Thermocouples: 5 in temperature mode, 1 in reference mode
 - 5. Accuracy ~0.1° C
 - 6. Meteorological - Standard met. station at Argonne plus Epply PSP, NIP, and 8-48; California Meas. active cavity radiometer, and wind speed
 - 7. Storage - Magnetic tape and diskettes
 - 8. On-Line Fluid Analysis - No

- E. System Control**
 - 1. Type - Monitor inlet temperature and manually throttle flow rates
 - 2. Operator Qualification - Technician
 - 3. Human Engineering - Not applicable

USES

- A. Present Use - Sporadic since October 1977**
- B. Projected or Proposed - Continue tests of nonfocusing concentrators**
- C. Availability - Available to other labs on a cooperative basis provided they supply resources and manpower**

NOTE**Contact Kent Reed, (312) 972-6234**

FACILITY SURVEY DATA SHEET: Distributed Systems

Name: Low Technology Collector Test Facility
Location: Brookhaven National Laboratories, Upton, New York

PURPOSE

Identify and test very low cost, low temperature collectors for assisting heat pumps

CAPABILITIES AND DESCRIPTION

- A. Collectors
 - 1. Types - Generally flat-plate
 - 2. Numbers and size - 6-10 units, 10 m² each
 - 3. Total Area - 100 m² maximum but can test only 1 unit at any one time
- B. Heat Management
 - 1. Temperature Range - Low temperature 10°-20° C
 - 2. Pressure Range - Near ambient
 - 3. Working Fluids - Air
 - 4. Flow Rates - 2.5 m/s, 1 m³/s
 - 5. Load Applications - Eventually will have heat pump
 - 6. Supplementary Sources - None
- C. Storage - None presently
- D. Data Acquisition and Management
 - 1. Computer - None
 - 2. Data Channels (analog/digital) - By hand with supporting chart recorders
 - 3. Sample Rate - Continuous record on chart readouts
 - 4. Transducers - Temperature thermopile; Flowrate, Pitot tubes
 - 5. Accuracy - 2%
 - 6. Meteorological - Use Brookhaven's station
 - 7. Storage - None
 - 8. On-Line Fluid Analysis - None
- E. System Control
 - 1. Type - Manual
 - 2. Operator Qualification - Unknown
 - 3. Human Engineering - Many individual controls

USES

- A. Present Use - One trial panel has been run
- B. Projected or Proposed - Continued testing of low temperature collectors
- C. Availability
 - 1. For facility-run experiments - Perhaps available for other government program experiments
 - 2. For experimenter-run experiments - Probably none
 - 3. For operator training - Not appropriate

NOTES

Contact: Gary Cottingham, Brookhaven, FTS 666-4610

FACILITY SURVEY DATA SHEET: Distributed Systems

Name: DSET Laboratories, Inc.

Location: Box 1850, Black Canyon Stage, Phoenix, AZ

PURPOSE

Performance durability and reliability testing of materials and solar collectors.

CAPABILITIES AND DESCRIPTION

- A. Collectors
 - 1. All types of flat-plate and most concentrating designs
 - 2. Numbers - 6 water loops, 2 air loops, 2 alternate fluid loops
 - 3. Total Area - 20 to 30 m²
 - 4. Mounting Structures - alt-azimuth, fixed angle also available
- B. Heat Management
 - 1. Temperature Range (Inlet) - Water - 180° C; Air - 10-cm pipe at 105° C, and 20-cm pipe at 205° C; alternate fluid - 230° C
 - 2. Pressure Range - 1 MPa for air and water, 400 kPa for alternate fluids
 - 3. Working Fluids - Water, air, various heat transfer fluids
 - 4. Flow Rates - Water - to 40 l/min; Alternate Fluid - to 80 l/min; Air - 4 m³/min at 10-cm duct and 34 m³/min with 20-cm duct
 - 5. Load Applications - Heat exchanger using evaporative cooler
 - 6. Supplementary Sources - Heater to control inlet temperature
- C. Storage - Thermal storage on request
- D. Data Acquisition and Management
 - 1. Computer - Data General Nova 3D with plotter
 - 2. Data Channels (analog/digital) - 4 Esterline Angus Data Loggers (A/D included)
 - 3. Sample Rate - Maximum all channels each 15 sec
 - 4. Transducers - Thermocouples, flowmeters, RTDs
 - 5. Accuracy - ASHRAE standards
 - 6. Meteorological - 10 Eppley Precision Pyranometers; 3 Normal Incident and 1 Absolute Cavity Pyrheliometers; 2 Eppley UV and 1 Spectral Radiometers
 - 7. Storage - Hand copy report, Floppy disk
- E. System Control
 - 1. Open and closed loops with manual controls operated by technician
 - 2. Tracking controls use balanced cell output technique

USES

- A. Present Use Factor - 100% of clear days for component evaluation, long-term operational testing, and R&D
- B. Projected or Proposed - Continue commercial testing of collectors and expanded use for integrated systems testing and test method development
- C. Available for collector testing as schedules permit

NOTES

Contact: M. W. Rupp, (602) 465-7356

FACILITY SURVEY DATA SHEET: Distributed Systems

Name: Molten Salt Test Loop

Location: General Atomic Co., San Diego, CA

PURPOSE

Test molten salts as heat transfer fluid in high temperature solar collector

CAPABILITIES AND DESCRIPTION

- A. Collectors
 - 1. Types - General Atomic's Fixed Mirror Solar Concentrator (FMSC)
 - 2. Numbers and size - 6 FMSC modules - 9 m² each
 - 3. Total Area - 51 m²
- B. Heat Management
 - 1. Temperature Range - Up to 600° C
 - 2. Pressure Range - Max 160 kPa
 - 3. Working Fluids - 680 kg of Hitec™ salt
 - 4. Flow Rates - 1 l/s
 - 5. Load Applications - None - dissipated to atmosphere
 - 6. Supplementary Sources - Tank has 48 kW_e heater, fluid lines have trace heaters with 15 kW_e total capacity to prevent salt freeze up
- C. Storage - Single tank without thermocline; has N₂ blanket
- D. Data Acquisition and Management
 - 1. Computer - None
 - 2. Data Channels (analog); Digital readouts - Multichannel strip chart recorders can be added
 - 3. Sample Rate - Continuous
 - 4. Transducers - Thermocouples and resistance thermometers; orifice flow meter
 - 5. Accuracy - Uncertain
 - 6. Meteorological - Pyranometer, Pyrheliometer
 - 7. Storage - Chart paper
 - 8. On-Line Fluid Analysis - None; could extract samples out of tank
- E. System Control
 - 1. Type - Automatic tracking, flow rate controlled by temperature set on output
 - 2. Operator Qualification - Research installation requiring technical background and training on system

USES

- A. Present Use: Full-time project support
- B. Projected Use: After July 1979 available for other experiments on time and material basis

FACILITY SURVEY DATA SHEET: Distributed Systems

Name: Point Focusing Solar Thermal Test Site

Location: JPL Edwards Test Station, Edwards Air Force Base, California

PURPOSE

System and subsystem test and evaluation of industry developed point focusing solar concentrators, thermal receivers, and power converters as part of a planned program for solar energy research and development

CAPABILITIES AND DESCRIPTION

- A. Collectors
 - 1. Types - Point focus, sun tracking
 - 2. Numbers and size - 6-m diameter: 1 dish; 11-m diameter: 2 dishes under construction, 6 dishes planned
 - 3. Total Area - 1100 m²
 - 4. Mounting Structures - Footing on concrete pads
- B. Heat Management
 - 1. Temperature Range - 315°C
 - 2. Pressure Range - 8.6 MPa (steam); 0.31 MPa (air)
 - 3. Working Fluids - Steam or air
 - 4. Flow Rates - 0.5-2 kg/hr/kW_{th} (steam); 2 g/s/kW_{th} (air)
 - 5. Load Applications - Water cooled thermal; resistive electrical
 - 6. Supplementary Sources - TBD
- C. Storage - TBD
- D. Data Acquisition and Management
 - 1. Computer - PDP-11/10, PDP-1134A, LSI-11 with RT-11 and RSX-11M operating systems
 - 2. Data Channels (analog/digital) - 600 (3 Autodata-Nine loggers and miscellaneous input/output circuits)
 - 3. Sample Rate - 10 sec/digital channel (16 bits); 40 msec/analog-channel
 - 4. Transducers - TC, RTD, flow, etc.
 - 5. Accuracy - 1% - 5%
 - 6. Meteorological - Insolation, temperature, wind and direction, humidity, barometric pressure
 - 7. Storage - Magnetic tape
 - 8. On-Line Fluid Analysis - TBD
- E. System Control
 - 1. Type - Automated with manual override
 - 2. Operator Qualification - In-house training

USES

- A. Present Use - Testing started in FY79
- B. Projected or Proposed - Short-term experiments and long-term trend analyses
- C. Available for facility-run point-focusing, high temperature systems experiments, and operator training

NOTES

Contact: Darrell L. Ross (213) 354-4321

FACILITY SURVEY DATA SHEET: Distributed Systems

Name: Experimental Solar Controls Test Facility
Location: Lawrence Berkeley Labs, Berkeley, CA

PURPOSE

(1) Develop computer control strategies and programs (ROMS) for heating/cooling systems; (2) Test absorption cooling unit based on low temperature NH₃ cycle

CAPABILITIES AND DESCRIPTION

- A. Collectors
 - 1. Types - Flat-plate
 - 2. Numbers and size - 20 units - PPG
 - 3. Total Area - 30 m²
 - 4. Mounting Structures - Mounted on Roof at 45°
- B. Heat Management
 - 1. Temperature Range - 90° C limit
 - 2. Pressure Range - 200 kPa
 - 3. Working Fluids - Water with Nelco corrosion suppressant
 - 4. Flow Rates - Heating loop 1 l/s, load loop 1.5 l/s
 - 5. Load Applications - Heat exchanger liquid to air and simulator
 - 6. Supplementary Sources - Gas boiler
- C. Storage - 1.2 kl
- D. Data Acquisition and Management
 - 1. Computer - HP 9825 A
 - 2. Data Channels (analog/digital) - Doric Data Logger 99 channel with printer - Interfaced to HP9825A
 - 3. Sample Rate - 1 sec/data point
 - 4. Transducers - T.C. and solid sensors (NS LX-5700)
 - 5. Accuracy - Heat balance to 6%
 - 6. Meteorological - DOE Load and Weather Tape
 - 7. Storage - Print out, Tape, Cartridge or Floppy Disk
 - 8. On-Line Fluid Analysis - None; occasionally extract fluid for tests
- E. System Control
 - 1. Type - PROM on/off actuators
 - 2. Operator Qualification - Unknown

USES

- A. Present Use - 100% for in-house programs
- B. Projected or Proposed - Continued use for above programs
- C. Availability
 - 1. For experimenter-run experiments - Collector testing, heat exchangers, etc.; could be run by other labs together with LBL technicians
 - 2. For operator training - Not suitable

NOTES

Contact: Mashwi Warren, FTS 451-6364, Mike Wahlig, 451-5787

FACILITY SURVEY DATA SHEET: Distributed Systems

Name: Systems Engineering Building
Location: NASA/Langley, Hampton, VA

PURPOSE

Used as a collector test bed. Also used to heat and cool office building using flat-plate collectors - driving an absorption chiller

CAPABILITIES AND DESCRIPTION

- A. Collectors
 - 1. Types - Flat-Plate and tracking
 - 2. Numbers and size - 13 rows 100 m² each, 6 different manufacturers and several different models
 - 3. Total Area - 1300 m²
 - 4. Mounting Structures - Remote from building
- B. Heat Management
 - 1. Temperature Range - $\leq 100^{\circ}\text{C}$, used to drive a 180T. LiBr chiller
 - 2. Pressure Range - 275 kPa in collectors
 - 3. Working Fluids - Water - treated with chromates
 - 4. Flow Rates - Variable - Max 1 kl/min
 - 5. Load Applications - 5,000 m² office building
 - 6. Supplementary Sources - Fossil fuel back up
- C. Storage - 114 kl, highly stratified and insulated
- D. Data Acquisition and Management
 - 1. Computer - Xerox computer
 - 2. Data Channels (analog/digital) - 150 data channels
 - 3. Sample Rate - 150 points each sec.
 - 4. Transducers - Thermistors pressure, flow, etc. - PRT for temperature, turbine, and ultrasonic for flow
 - 5. Accuracy - ($\pm 0.5^{\circ}\text{C}$, $\pm 2\%$ for flow on major items)
 - 6. Meteorological - Horizontal and tilted pyranometers
 - 7. Storage - Data stored on computer tape at 5 min intervals
 - 8. On-Line Fluid Analysis - Tested monthly as routine maintenance procedure
- E. System Control
 - 1. Type - Thermostats and time clock, runs automatically
 - 2. Operator Qualification - Run by duty officer
 - 3. Human Engineering - Apparently good

USES

- A. Present Use - 100% used for heating and cooling building,
- B. Projected or Proposed - (1) Replacement of 100 m² of Martin-Marietta collector with evacuated tubes is under construction; (2) Have added 100 m² of concentrator collectors
- C. Availability
 - 1. For facility-run experiments - Operates as utility and long-term test bed
 - 2. For experimenter-run experiments - Limited capability
 - 3. For operator training - Not available

NOTES

Contact: Mr. Baxter Carr, FTS 928-4501, NASA/Langley (804) 827-4501

FACILITY SURVEY DATA SHEET: Distributed Systems

Name: Lewis - Solar Simulator

Location: NASA/Marshall

PURPOSE

Do research on the performance of flat plate collectors under various conditions of illumination

CAPABILITIES AND DESCRIPTION**A. Collectors**

1. Types - Flat-plate
2. Numbers and size - 1
3. Total Area - 1.22 m by 1.22 m maximum
4. Mounting Structures - Rotatable for cos dependence

B. Heat Management

1. Temperature Range - 20-100° C inlet temperature
2. Pressure Range - 100 kPa
3. Working Fluids - Water and ethylene - glycol
4. Flow Rates - 4 l/min; wind 3 m/s
5. Load Applications - dump to heat exchanger
6. Supplementary Sources - Radiation source: 143 tungsten-halogen lamps
GE Type ELH at 300 W each

C. Storage - None**D. Information on Data Acquisition and Management, System Control, and Uses were not available or were not applicable.****NOTES**

"Radiative Transfer and Thermal Control, Progress in Astronautics and Aeronautics," Vol. 49, editor - Smith 1976, American Inst. of Aeronautics and Astronautics, New York.

- A. This facility has recently been moved from Lewis Research Center to the Marshall Space Flight Center and is being used by the University of Alabama.
- B. Marshall Space Flight Center also has a larger simulator with a 2.25 m by 4.5 m test area. It has 405 GE ENH tungsten-halogen lamps each operated at up to 250 watts. Fresnel lenses in front of the lamps give a collimated beam of up to $\sim 1 \text{ kW/m}^2$ irradiance. Array can be rotated between 0 and 72° from the vertical. Liquid and flow control loops operate up to 100° C.

Contact: William A. Brooksbank, Jr., FTS 872-1248

FACILITY SURVEY DATA SHEET: Distributed Systems

Name: Marshall Space Flight Center
Location: Huntsville, Alabama, on Redstone Arsenal

PURPOSE

Evaluation of solar energy heating and cooling systems, subsystems, and selected components: solar collectors, thermal energy storage equipment, and solar heating and cooling devices

CAPABILITIES AND DESCRIPTION

- A. Collectors
 - 1. Types - Various flat-plates cycled in and out
 - 2. Numbers and size - Variable
 - 3. Total Area - 400 m² active; 150 m² passive
 - 4. Mounting Structures - Flat plate racks 45° tilt angle
- B. Heat Management
 - 1. Temperature Range - Air: 15-125°C; Liquid: 15-125°C; Water: 15-300°C HT fluids
 - 2. Pressure Range - To 1 MPa
 - 3. Working Fluids - Air, Water, HT fluids
 - 4. Flow Rates - Air: 0.25-2.5 m³/s; Liquid: 1-10 l/s
 - 5. Load Applications - Heating, cooling
 - 6. Supplementary Sources - Simulate collect output 130 kW; cooling load to 10 tonnes; heating load 35 kW
- C. Storage - Rock: 20 tonnes; Liquid: 40 kl
- D. Data Acquisition and Management
 - 1. Computer - Old. Being replaced by new Data Acquisition system at each test set
 - 2. Data Channels (analog/digital) - 950 Analog up to computer
 - 3. Sample Rate - Once every min
 - 4. Transducers - Temperature: PRT; Pressure: strain gauges; Liquid Flow: turbines; Heaters: watt meters
 - 5. Accuracy - ASHRAE 93-77 specification
 - 6. Meteorological - Pyroheliometer, pyranometer, wind, temperature, etc.
 - 7. Storage - Computer files
 - 8. On-Line Fluid Analysis - No
- E. System Control
 - 1. Type - Manual set
 - 2. Operator Qualification - Special training required
 - 3. Human Engineering - Poor

USES

- A. Present Use - <25%, depending on DOE request
- B. Projected or Proposed - Plan to test collector and components in support of DOE/ERDA Demonstration Program
- C. Availability
 - 1. For facility-run experiments - 100%
 - 2. For experimenter-run experiments - None
 - 3. For operator training - None

NOTES: Operated by Wyle Labs for NASA; Sources: NASA-Marshall Document SHC-2009, December 1, 1975 and on-site inspection.

FACILITY SURVEY DATA SHEET: Distributed Systems

Name: NBS

Location: Gaithersburg, Maryland

PURPOSE

Develop standardization and testing methods, e.g., ASHRAE 93-77 for collectors (Flat plate)

CAPABILITIES AND DESCRIPTION

- A. Collectors
 - 1. Types - Flat-plates
 - 2. Numbers and size - 2 loops for single (3 m^2 each) flat plates; 3 loops for 4 collect side by side with individual flow through each collector (10 m^2); 1 loop air collect (6 m^2)
- B. Heat Management
 - 1. Temperature Range - Water to 100°C ; Air, $70\text{-}80^\circ \text{C}$ exit temperature
 - 2. Pressure Range - Near ambient
 - 3. Working Fluids - Water, air
 - 4. Flow Rates - 60 ml/s single loop; 240 ml/s 4 collector loop; up to $0.5 \text{ m}^3/\text{s}$
 - 5. Load Applications - None, dump heat
 - 6. Supplementary Sources - Resistance heater to control inlet temperature
- C. Storage - One $2.5 \times 2.5 \times 2.5 \text{ m}^3$ pebble bed for an air loop
- D. Data Acquisition and Management
 - 1. Computer - None
 - 2. Data Channels (analog/digital) - Data logger - tape drive 100 channels. Digital output
 - 3. Sample Rate - Normally 2 minute interval
 - 4. Transducers - T.C., Homemade Thermopiles, PRT's
 - 5. Accuracy - 0.15°C on temperature; 1%, liquid flow; 2-3%, air flow using ASME nozzle
 - 6. Meteorological - Pyroheliometer, pyranometer, sky temperature radiometer (custom-made by French Building Research Inst.)
 - 7. Storage - Tape
 - 8. On-Line Fluid Analysis - None
- E. System Control
 - 1. Type - Leeds-Northup thermostat controllers on inlet feeds; manual control of flow rates
 - 2. Operator Qualification - Technician
 - 3. Human Engineering - Not applicable

USES

- A. Present Use - $>90\%$
- B. Projected or Proposed - Continue research on test methods
- C. Availability
 - 1. For facility-run experiments - Not in business of running other people's tests
 - 2. For experimenter-run experiments - None
 - 3. For operator training - None

Source: Dr. J. Hill, FTS-921-3559

FACILITY SURVEY DATA SHEET: Distributed Systems

Name: Collector Module Test Facility (Part of Midtemperature Solar System Test Facility)

Location: Sandia Labs, Albuquerque, New Mexico

PURPOSE

Characterize and report collector module performance and support advanced collector research

CAPABILITIES AND DESCRIPTION

- A. Collectors
 - 1. Types - Line focus and distributed
 - 2. Numbers and size - One collector module of up to 45 m² on each of 3 loops
 - 3. Mounting Structures - 2 loops on fixed footings, 1 loop on turntable base
- B. Heat Management
 - 1. Temperature Range - max 330°C for water and 425°C for oils
 - 2. Pressure Range - 1 max 18 MPa with water and 1.4 MPa with oil
 - 3. Working Fluids - Therminol 66; Syltherm 800; and water
 - 4. Flow Rates - up to 1 l/s
 - 5. Load Applications - Heat exchanger to water
 - 6. Supplementary Sources - resistance heaters to heat transfer fluids to required test temperatures
- C. Storage - None
- D. Data Acquisition and Management
 - 1. Computer - HP 1000 system
 - 2. Data Channels (analog/digital) - typically 120 channels of thermocouple and low-level signals for each loop
 - 3. Sample Rate - depends on number of channels used - 4 min at slowest rate
 - 4. Transducers - Type T, J, and E. Thermocouples, flow meters, and pressure gauges
 - 5. Accuracy - Thermocouples + 1%, Flow meters + 5%
 - 6. Meteorological - NIP, ambient temperature, wind direction/velocity
 - 7. Storage - Magnetic tape and/or disk plus hard-copy printer and plotter
 - 8. On-Line Fluid Analysis - None
- E. System Control
 - 1. Type - Thermostatically controlled fluid inlet temperature; electropneumatic control on flow rate; computer, microprocessor, or manual control
 - 2. Operator Qualification - technician training in electronics and mechanics
 - 3. Human Engineering - safe operating procedures and quality program plans required for operation

USES

- A. Present Use - Equipment supports simultaneous operation of two loops to characterize new concepts and advanced design collectors
- B. Projected - RFP for 4-month procurement of prototype collector; new concepts development RFP
- C. Availability - 100% utilized for facility-run experiments for DOE.

NOTES

Contact: Bob Workhoven, FTS 475-5427

FACILITY SURVEY DATA SHEET: Distributed Systems

Name: System Test Facility (part of Midtemperature Solar System Test Facility)
Location: Sandia Labs, Albuquerque, New Mexico

PURPOSE

Determine and demonstrate the technical and economic feasibility of solar total energy systems for a variety of sites and loads

CAPABILITIES AND DESCRIPTION

- A. Collectors
 - 1. Types - Line focus and distributed point focus concentrators
 - 2. Numbers and size - 5 subsystems each with max 500 MJ/hr ($\sim 200 \text{ m}^2$)
 - 3. Total Area - $\sim 1000 \text{ m}^2$
 - 4. Mounting Structures - Individual footings
- B. Heat Management
 - 1. Temperature Range - up to 315°C in primary distribution loop
 - 2. Pressure Range - up to 0.6 MPa
 - 3. Working Fluids - Therminol 66 in primary loop
 - 4. Flow Rates - up to 3 l/s
 - 5. Load Applications - 32 kW_e turbine/generator with toluene working fluid; (100 tonne) absorption cycle chiller; space heat and hot water for 1,100 m² building; cooling tower, 360 W
 - 6. Supplementary Sources - 2 fossil fuel heaters 0.3 MW each
- C. Storage - 3.7 m³ high temperature (425°C) stratified Therminol tank; three 24 m³ tanks capable of storing 880 kWh thermal between 243°C and 310°C
- D. Data Acquisition and Management
 - 1. Computer - HP21 MXE
 - 2. Data Channels - 600 total available. At each of 7 bulkheads there are typically 40 channels for Type T and 12 channels for Type J thermocouples, and 20 channels for other low-level signals
 - 3. Sample Rate - function of number of channels in use - slowest rate = 4 min
 - 4. Transducers - Type T, J, and K thermocouples, flow meters, and pressure gauges
 - 5. Accuracy - Thermocouples, + 1%; Flow meters + 5%
 - 6. Meteorological - Wind direction and velocity, ambient air and dew point temperatures, and direct and horizontal solar radiation
 - 7. Storage - Magnetic tape, disk, hard-copy printer and plotter
 - 8. On-Line Fluid Analysis - None
- E. System Control
 - 1. Type - Honeywell temperature controllers (handset) on valves for fluid flow to maintain constant outlet temperature. Inlet temperature from bottom of thermocline. May be by computer, microprocessor, or manual.
 - 2. Operator Qualification - Technologist with electronics and mechanical background. Two operators needed for control, safety, etc.
 - 3. Human Engineering - Computer system may not be appropriate for all field applications. Two operators needed for control, safety, etc. Safe operating procedures and quality program plan required.

USES

- A. Present Use - 90%
- B. Projected or Proposed - Continued testing of subsystems on rotational basis.

Sources: SAND 76-0167, SAND 76-0205, SAND 76-0662, SAND 77-0738

Contact: T. D. Harrison, FTS 475-6394 or (505) 264-6394

FACILITY SURVEY DATA SHEET: Distributed Systems

Name: Solar Experimental Research and Applications for Process Heat (SERAPH)

Location: Solar Energy Research Institute, Golden, CO

PURPOSE

An experimental system for solar energy research and application

CAPABILITIES AND DESCRIPTION (Design Parameters)

- A. Collectors
 - 1. Types - Varies; concentrator
 - 2. Numbers and size - Variable
 - 3. Total Area - up to 500 m²
 - 4. Mounting Structures - One-Axis Tracking, Stationary
- B. Heat Management
 - 1. Temperature Range - 400° C
 - 2. Pressure Range - 3.5 MPa
 - 3. Working Fluids - Pressurized H₂O, Heat Transfer Fluids
 - 4. Flow Rates - 1 to 6 l/s
 - 5. Load Applications - Cooling and Heating Load Simulator
 - 6. Supplementary Sources - Oil-fired heat exchanger (1 GJ/hr)
- C. Storage - Varies
- D. Data Acquisition and Management - To be coupled with SERI Data Acquisition System
 - 1. Computer - local system - LSI 11
 - 2. Data Channels (analog/digital) - 200-500
 - 3. Sample Rate - unknown
 - 4. Transducers - pressure, temperature, flow rate
 - 5. Accuracy - unknown
 - 6. Meteorological - unknown
 - 7. Storage - unknown
 - 8. On-Line Fluid Analysis - None
- E. System Control
 - 1. Type - Manual, analog, supervisory, DDC
 - 2. Operator Qualification - Technician
 - 3. Human Engineering - combination graphics and annunciator

USES

- A. Present Use - (not complete)
- B. Projected or Proposed - Experimental system for research on process heat applications
- C. Availability
 - 1. For facility-run experiments - Primarily for study relating to Solar Process Heat Application, also large scale environmental heating and cooling
 - 2. For experimenter-run experiments - Available
 - 3. For operator training - For industrial solar energy system operators

NOTES

SERI Contact: Jim Castle

FACILITY SURVEY DATA SHEET: Distributed Systems

Name: Standard Module (STAM)

Location: SERI, Golden, CO

PURPOSE

Develop thermal performance standards appropriate for concentrating collectors; investigate impact of circumsolar on concentrating collectors; provide a test bed for advance receiver and component development (and conduct both short- and long-term reliability studies).

CAPABILITIES AND DESCRIPTION

- A. Collectors
 - 1. Types - Varies; concentrators
 - 2. Numbers and size - simultaneous capability for 2 collectors
 - 3. Total Area - Aperture maximum $\sim 40 \text{ m}^2$
 - 4. Mounting Structures - 1 rotating azimuthal platform and 2 fixed stands
- B. Heat Management
 - 1. Temperature Range - Water 230°C , Heat Transfer Oils 350°C
 - 2. Pressure Range - 3.8 MPa
 - 3. Working Fluids - Water, Heat Transfer Oils, Therminol 66
 - 4. Flow Rates - Varies; 0.78 - 37.9 l/min per collector
 - 5. Load Applications - Dump Heat Exchanger
 - 6. Supplementary Sources - Resistance Type Circulation Heater for Input Temperature
- C. Storage - 150 liter
- D. Data Acquisition and Management
 - 1. Computer - Initially - LSI-11
 - 2. Data Channels (analog/digital) - 30
 - 3. Sample Rate - Variable; 1/s to 1/min
 - 4. Transducers - Various
 - 5. Accuracy - Striving for overall 1-2% in overall thermal performance
 - 6. Meteorological - On-site weather station and radiometers
 - 7. Storage - Presently on cassette tape, proposed floppy disk
 - 8. On-Line Fluid Analysis - None
- E. System Control
 - 1. Type - Flow rate—initially manual, adaptable for automatic; temp-proportional
 - 2. Operator Qualification - TBD

USES

- A. Present Use - Design Phase
- B. Projected or Proposed - Operational by Sept. 1979
- C. Availability
 - 1. For facility-run experiments - Primarily
 - 2. For experimenter-run experiments - Yes
 - 3. For operator training - Probably in the future

NOTES

SERI Contact: Allan Lewandowski

FACILITY SURVEY DATA SHEET: Distributed Systems

Name: Collector Test Loops

Location: University of Chicago, Chicago, IL 60637

PURPOSE

Test facility for prototype nonimaging concentrating collectors

CAPABILITIES AND DESCRIPTION

- A. Collectors
1. Types - CPCs and nonimaging two stage concentrators
 2. Numbers and size - 2 each-1.6 m², 1 each-1.1 m², 1 each-1.8 m²
 3. Mounting Structures - Two-axis (horizontal-vertical) manually positioned rack 2 m²
- B. Heat Management - Two circulating loops A and B
1. Temperature Range - (A) 10°C - 90°C; (B) 10°C - 300°C
 2. Pressure Range - (A) atmospheric; (B) 0 - 340 kPa
 3. Working Fluids - (A) Water; (B) Therminol 66
 4. Flow Rates - (A) 5 - 50 ml/s; (B) 5 - 80 ml/s
 5. Load Applications - (A&B) Heat exchangers
- C. Storage - None
- D. Data Acquisition and Management
1. Computer - Hewlett-Packard 9825A programmable calculator, scanner and on-line plotter
 2. Data Channels (analog/digital) - 40 analog channels interfaced to calculator
 3. Sample Rate - Full sensor scan every 2 s - Accumulates and computes average every 1-4 min.
 4. Transducers - Thermocouples, 4-terminal RTDs, turbine flowmeter
 5. Accuracy - ±1%
 6. Meteorological - Radiometric only (ACR plus two Eppley 8-48s)
 7. Storage - On magnetic tape cassettes
 8. On-Line Fluid Analysis - (Uses calorimetric ratio technique to calibrate fluid T for known heat source)
- E. System Control
1. Type - Manual (Flow rate, heater power, etc.)
 2. Operator Qualification - Informal

USES

- A. Present and Projected Use - Nearly 100% on sunny days, plus some heat loss testing yielding net of ~35% of real time
- B. Available only for facility-run experiments

NOTES

Contact: J. J. O'Gallagher (312) 753-8637

APPENDIX A

**A.2 RESPONSES TO QUESTIONNAIRE MAILED TO CONCENTRATING COLLECTOR
MANUFACTURERS**

QUESTIONNAIRE RESPONSES FROM COLLECTOR MANUFACTURERS

Question	Response		
	Solar Kinetics, Inc.	Northrup, Inc.	Acurex Cororation
Company Location	8120 Chancellor Row Dallas, TX 75247	302 Nichols Dr. Hutchins, TX 75141	485 Clyde Ave. Mountain View, CA 94042
Solar Resource at Site	_____	High insolation rates, high percentage of sunshine (See Climatic Atlas)	_____
What is the purpose of the facility?	R&D and production of parabolic trough concentrating collectors	Development of solar collectors; determine performance curves; monitor hot water systems	In-house development, production testing, and quality control of various thermal and photovoltaic collectors
<u>Facilities Capabilities and Description</u>			
1. What types of collectors can be tested?	ALL	Liquid flat-plate collectors and concentrating collectors	One- and two-axis tracking collectors, thermal, and photovoltaic
2. How many collectors can be tested independently and at the same time?	See Below	Four collectors can be tested at once, but they must all be at the same inlet temperature	Three to four different types, 3 different loops exist (1. High temp, 2. Low temp, and 3. High pressure)
3. What is the total collector area that can be tested at one time?	50 m ²	9 m ²	48 m ² thermal collectors
4. On what type of structure are the collectors mounted?	Steel Pylons	Flat-plate tracker, concentrator tracker, a fixed mount	Concrete piers
5. Operating parameter limits Temperature Pressure Fluid Flow	315°C 1.7 MPa 0.006-1.25 l/s	175°C 0.86 MPa 0-0.2 l/s	315°C 2.7 MPa at 200°C _____
6. What working fluids does your system use?	Thermal Oils and Water	Water	Water and heat transfer oils

QUESTIONNAIRE RESPONSES FROM COLLECTOR MANUFACTURERS (continued)

Question	Response		
	Solar Kinetics, Inc.	Northrup, Inc.	Acurex Corporation
7. Is the collected energy used or rejected to the atmosphere through a heat exchanger?	Space heating and rejection	Optional: Heat can be rejected to the atmosphere or into the test lab building	Rejected to atmosphere
8. Are supplementary heaters used to preheat inlet fluid or to provide a simulated source or load for other components of solar powered systems?	Yes	An in-line heater controls the fluid inlet temperature	Yes
9. What, if any, capabilities exist for thermal storage?	Oil - 0.8 m ³	120-1 and 50-1 tanks; various tank sizes to 320-1 are available	None
10. How are data acquired and managed?			
Computer	Rustrak Cromemco 64 K computer Chart recorders;	2240-A Fluke Datalogger. Houston Instrument two-pen strip chart recorders. Eppley pyranometer and pyrhelimeter	Autodata 9 data acquisition systems
Transducers (accuracy)	Omega bimetal copper-constant Rampo and flow tech. flow meters	For pressure measurement bourdon tube gages are used, ± 35-kPa accuracy	Thermocouples and RTDs
Meteorological data- where obtained?	Epply radiometer NIP Epply radiometer 8-48 Anemometer	Ambient temperature, wind velocity, wind direction; TI weather station	Normal incidence and global pyranometers anemometer
Data Storage	Strip charts and Floppy Disks	Fluke datalogger	Paper tape printer

A-21

QUESTIONNAIRE RESPONSES FROM COLLECTOR MANUFACTURERS (continued)

Question	Response		
	Solar Kinetics, Inc.	Northrup, Inc.	Aeurex Corporation
11. Are fluid temperatures thermostatically controlled? Manually or electronically set?	Yes. Manual and automatic pneumatic servo	The tanks have thermostatic controls that are electronically set. The in-line heater is controlled by a variable transformer that is set manually	Depends on experiment
12. Are flow rates automatically controlled?	Yes, as above	No. The flowmeters are checked frequently to ensure constant flowrate	Yes
13. What kind of training is necessary to qualify operators?	In-house	A very general understanding of heat transfer plus a few days of witnessing tests.	Engineering and/or technician experience
<u>Facility Use</u>			
1. What fraction of time is it presently being used?	Intermittently	60%	100% for long-term thermal and photovoltaic testing
2. What are your projected or proposed uses for the future?	Continued R&D and design evaluation	60%	_____
3. Would the facility be available for tests run by outside experimenters? If so, what restrictions or qualifications?	No	Yes. It must be during a time of nonuse by Northrup and at a fee comparable to that of an independent solar test lab. Test schedules could be worked out in advance.	Yes, if available and contracted



APPENDIX B
DATA ON CENTRAL RECEIVER TEST FACILITIES

CHARACTERISTICS OF LARGE SOLAR FURNACES

	CNRS Montlouis, France	ONRS Bouzareah Algiers, Algeria	Tohoku University Sendai, Japan	CNRS Odeillo, France	French Army Odeillo, France	U.S. Army White Sands, New Mexico	U.S. Army White Sands, New Mexico	CRTF Albuquerque, New Mexico	ACTF Atlanta, Georgia
THERMAL PERFORMANCE^{a,b}									
Total Thermal Power (kW)	45 (est)	25 (est)	35 (est)	1,000	42.5	35	350	5,000	400
Maximum Irradiance (W/cm ²)	1200	—	—	1600	580	400	1000	240	220
Image Diameter (cm) ^c				25-100		8-15	15-30	200-300	50-100
Maximum Calculated Equilibrium Temperature (K)	>3300	~ 3800		4100		2900	3000 (est)	2500	2500
HELIOSTAT									
Number of Heliostats	1	—	1	63	1	1	—	222 Present	550
Heliostat Size (m)	10.5 x 13	—	14 x 15.5	6 x 7.5	13.2 x 17.5	11 x 12.2	—	6.3 x 6.3	1.1 Dia
Type of Mirror	2nd Ag	—	1st Al	2nd Ag	2nd Ag	mixed	—	2nd Ag	2nd Ag
Number of Mirror Elements in Each Heliostat	540	—	238	180	638	356	—	25	1
Mirror Element Size (cm)	50 x 50	—	90 x 130	50 x 50	50 x 50	62 x 62	—	62 x 62	111 Dia
Mirror Area in Each Heliostat (m ²)	135	—	214	45	159.5	137	—	40	0.95
CONCENTRATOR									
Configuration	Paraboloid	Paraboloid Dish	Paraboloid	Paraboloid	Spherical	Spherical	Paraboloid	—	—
Size (m)	9 x 11	8.14 (Diam)	10 (Diam)	40 x 54	10 x 10	8.5 x 8.5	25 (Diam)	—	—
Focal Length (m)		3.1		18		10.9	8.6	—	Nominal 21.3
Type of Mirror	2nd Ag	Electropolished Aluminum	1st Al	2nd Ag	1st Al	1st Al	Aluminized Acrylic Film	—	—
Number of Mirror Elements	3500	—	181	9,500	384	180	Many Strips	—	—
Mirror Element Size (cm)	16 x 16	—	80 x 75	45 x 45	50 x 50	90 at 62 x 62 90 at 64 x 66	Variable	—	—
Total Mirror Area (m ²)	89.6	50	105	1,923	96	72	490	—	—

CHARACTERISTICS OF LARGE SOLAR FURNACES (Continued)

	CNRS Montlouis, France	ONRS Bouzareah Algiers, Algeria	Tohoku University Sendai, Japan	CNRS Odeillo, France	French Army Odeillo, France	U.S. Army White Sands, New Mexico	U.S. Army White Sands, New Mexico	CRTF Albuquerque, New Mexico	ACTF Atlanta, Georgia
<u>TOWER</u>									
Height	—	—	—	—	—	—	—	61	21.3
Location in Field	—	—	—	—	—	—	—	South or Central	Central
<u>INSTRUMENTATION</u>	—	—	—	—	—	—	40 computer data channels	500 A/D or D/A computer data channels	120 multi- plexed com- puter data channels, including 52 thermocouple and 40 strain gauge channels
<u>DATE FIRST OPERATED</u>	1952	1954	1962	1970	1972	1958 at Natick, MA	1981 expected	1978	1977

^EBased on irradiance of 900-950 W/m².

^FHeat handling capabilities at each facility are sufficient to dissipate the total thermal power from the receiver.

^GFirst number is diameter of the area receiving approximately 1/2 of total energy; the second number is the diameter of the area capturing 95% of total energy.

^dDuring 1980 the CRTF is expected to have a water-cooled aluminum compound parabolic secondary concentrator. It is designed to provide about 1000 W/cm² over a 23-cm diameter area.

SERIO 

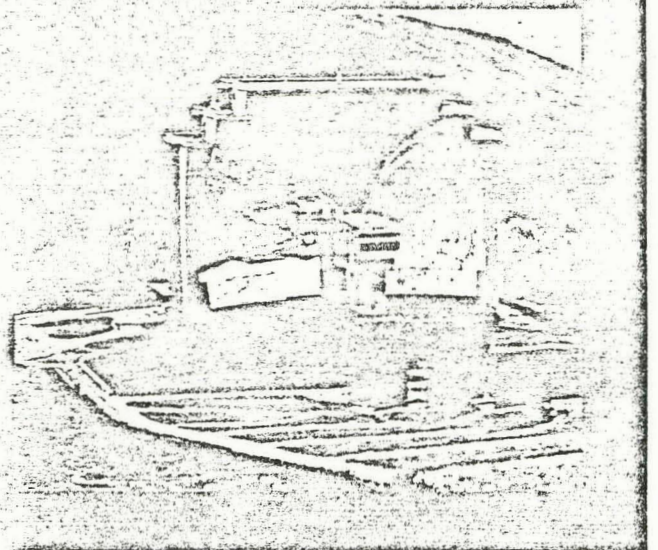
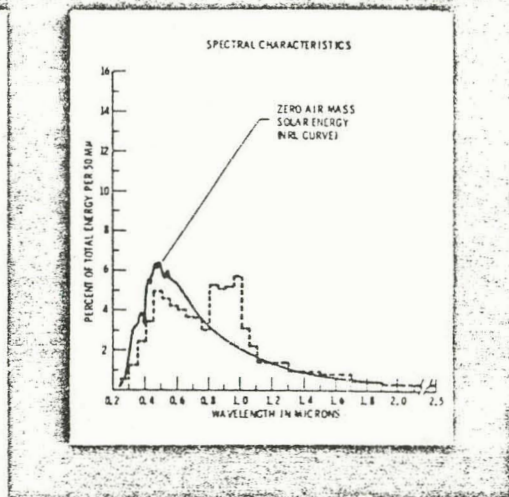
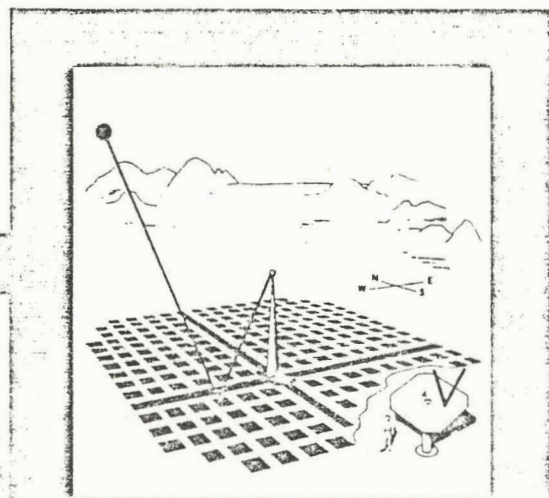
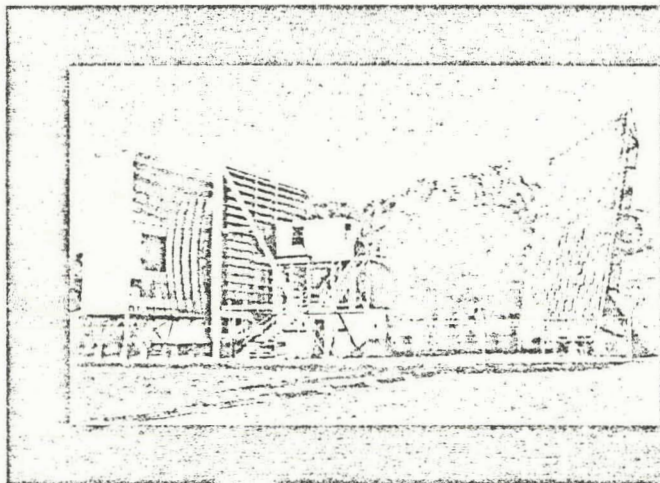
APPENDIX C

**CENTRAL RECEIVER SOLAR THERMAL POWER SYSTEM:
REVIEW AND SUMMARY OF AVAILABLE TEST FACILITIES**

Aerospace Corporation ATR-75-(7370)-2

CENTRAL RECEIVER SOLAR THERMAL POWER SYSTEM

Review and Summary of Available Test Facilities



CENTRAL RECEIVER SOLAR THERMAL POWER SYSTEM

REVIEW AND SUMMARY
OF
AVAILABLE TEST FACILITIES

Prepared for:
THE NATIONAL SCIENCE FOUNDATION
Washington, D. C.

January 1975

Prepared by:
ENERGY AND RESOURCES DIVISION
THE AEROSPACE CORPORATION
El Segundo, California
Telephone: (213) 648-6407

Contract No. NSF-C933
Task Order No. 1

THIS PAGE
WAS INTENTIONALLY
LEFT BLANK

1.0 INTRODUCTION

The National Science Foundation is undertaking the development of a Central Receiver Solar Thermal Power System for the conversion of solar radiation into thermal energy and then to electrical power by conventional methods. The next phase of this program will involve the efforts of several contractors or contractor teams, each preparing a preliminary design for a 10 MWe Proof-of-Concept Experiment (POCE) Pilot Plant. The preliminary designs will evolve largely from a series of subsystem research tests which are intended to verify, by actual hardware operation and evaluation, the design concepts and analyses. The data and results of those engineering and development tests are essential to provide the proper basis for, and confidence in, the preliminary designs of the POCE Pilot Plant. The POCE Pilot Plant Preliminary Design will be technically and logically related to the proper design and construction of anticipated commercial Central Receiver Solar Thermal Power Systems. The research experiment hardware and testing procedures must simulate the system operational conditions in order to properly verify the performance expectations derived from the analyses, as well as the conceptual and developmental design efforts. Of the three subsystems included in the Subsystem Research Experiments (Collector, Receiver, and Thermal Storage) the Receiver Subsystem seems to pose the greatest problems concerning availability of adequate test facilities for conducting meaningful tests. The emphasis in this report will be concerning those facilities for the receiver subsystem experiments. Even though concerted efforts have been made to identify those facilities, both government and industrial, which could be of use in conducting such tests, no claim can be made that the coverage is complete and that all existing facilities have been included. It is believed that the more important government facilities and the better known or available industrial facilities have been included. It is also believed that they are representative of existing facilities and will provide a reasonable check list for initial screening by prospective program participants.

The test facility descriptions were provided by personnel at each of the various test facilities. Some editing was made to the facility descriptions in the compilation of this report. The National Science Foundation and The Aerospace Corporation wish to thank each of the contributors for the effort required for the preparation of this document. These individuals are identified in the appropriate sections of the text.

2.0 TEST OBJECTIVES

2.1 Receiver

The objectives of the Receiver Subsystem Research Experiments are to provide the research and test data necessary to demonstrate and verify the technical and economical feasibility of achieving solutions for the high risk technological issues of the Receiver Subsystem. Since the identification of a receiver design is the major objective of these tests, it is not possible to identify specific configurations beyond that of these basic concepts: (1) enclosed tube, or cavity receiver, and (2) exposed tube receiver. Either receiver concept employs thermal cycles such as indicated in Figures 1, 2, and 3. Whatever facilities are employed in the testing of the specific receiver configurations, the essential design data and verification results must be determined. Each receiver configuration will require specific and unique test procedures, instrumentation and facilities to satisfy the test objectives.

The test hardware, as a model or module of the prototype concept, must provide adequate similitude of the operational conditions in each of the areas of concern: size, flows, dynamic response, etc., while the test facilities must provide controlled and reproducible inputs to the test hardware.

The primary requirements for the test facility are to provide steam generator interfaces which will normally exist in the central receiver system and to provide necessary data taking and reduction facilities to make the test results meaningful. The principal interfaces are the radiant heat source and fluid interfaces. In many instances, these interfaces will be dictated by the particular design of the steam generator. Consequently, test facilities must have sufficient flexibility to accommodate various steam generator designs as well as dynamic modes to simulate the transients of plant operations. The radiant heat source requirements will be dictated by the trade-offs between the receiver and the particular design of the collector assembly. Since neither the collector nor the receiver (steam generator) have been designed, test facility requirements are discussed below in general terms.

The following discussions are not intended to be tutorial in nature, but are presented to indicate the general facility requirements for conducting engineering and development tests for the receiver concepts. The specific values are illustrative only and are not intended to specify design values.

Steam Cycle Consideration. The steam cycle which will be used in the central receiver will probably be some derivative of the Rankine Cycle. Although the exact nature of the cycle is still unknown and the temperature and pressure values a matter of speculation, some general comments can be made. Figure 1 shows the basic Rankine steam power plant cycle. The major components are the steam generator, the steam turbine, the condenser, and the fluid pump. The cycle is shown on a temperature-entropy

diagram. In this particular cycle, compressed liquid is introduced to the steam generator at state point 1 (p approx. 1250 psia, T approx. 110 F) and exits the generator at state point 4 (p approx. 1250 psia, T approx. 950 F). The test facility must be able to provide water to the generator at state point 2 and accept it back at state point 4. There are several options for providing water at the necessary conditions: (1) water at state point 6 can be pumped to state point 1 where it is introduced to the generator; superheated steam at 4 can then be dumped into the atmosphere or into a cooling pond (the primary concern in this approach is providing necessary make-up water at sufficient purity); (2) a second approach would be to use a high pressure condenser where steam at state point 4 will be cooled along the 4-3-2-1 curve; this is basically reversing the boiler process; the advantage of this method is that the working fluid is reused, and that the pumping power will be reduced because once the system is charged only a circulation pump will be necessary.

Figure 2 shows a Rankine cycle with one reheat. The steam generator interface is more complicated because fluid from the high pressure turbine at 5 is reheated to 6. The turbine process from 4 to 5 and from 6 to 7 are work extraction processes where the pressure, temperature, and energy content are reduced at nearly constant entropy. Simulation of this process is most difficult without a turbine. A throttling process followed by a cooling process can be used to get the fluid from 4 to 5. Also, an auxiliary boiler could be used to provide steam at state point 5.

Other features which are generally seen in a steam power plant are additional reheats and feed-water heaters. The basic rationale for using reheats and feedwater heaters are that they improve cycle efficiency. It is not expected that the test steam generators will have many reheat cycles. Feed water heating would be considered part of the steam generator.

Both cycles considered above are subcritical cycles. A third potential cycle is the supercritical cycle shown in Figure 3. The main feature with this cycle is that the pressure is in the order of 3500 psia and the inlet and outlet temperature are approximately 110 and 850 F, respectively.

Based upon the above discussion, power cycle interfaces were developed to serve as a basis for comparison of existing facilities. These baseline cooling system requirements are outlined in Table I. The thermal heat load for the steam generator was assumed to be 5 MW. Consequently, for steady state testing, the cooling system must be capable of rejecting 5 MWth. The working fluid (water) flow rate through the steam generator will be in the order of 1.46 Kg/sec (23 gpm) for the cycle shown in Figure 1. Inlet fluid to the steam generator must be conditioned to approximately 43 C and 85 ATMOS. The inlet fluid (1.46 Kg/sec of 43 C and 85 ATMOS water) can be from a closed cycle system or an open cycle. The type of system selected will have an impact on items such as the pump components and the cooling system and the selection of a water supply. If a

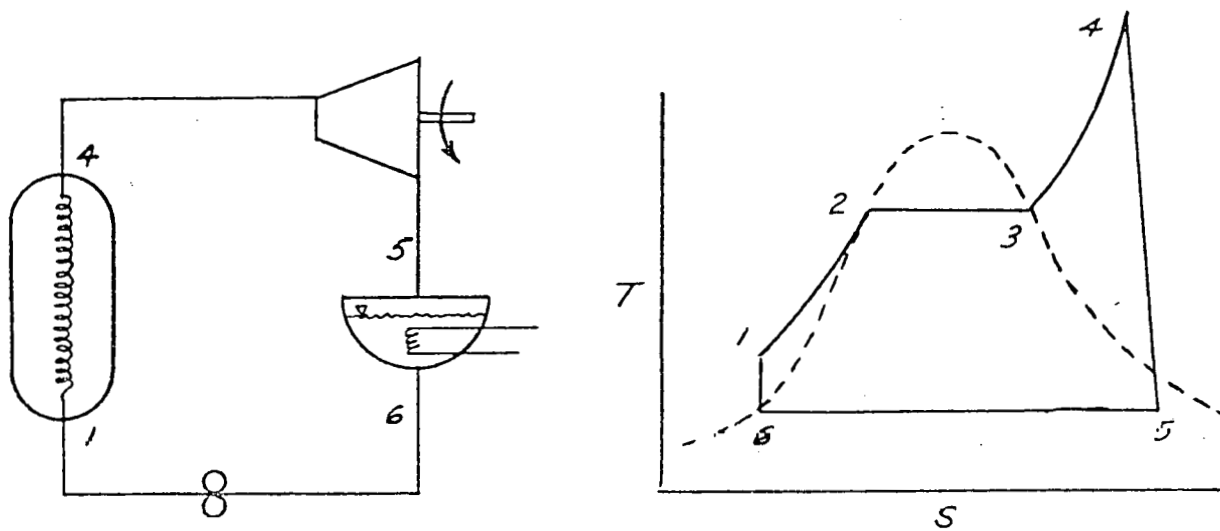


Figure 1. Simple Rankine Cycle

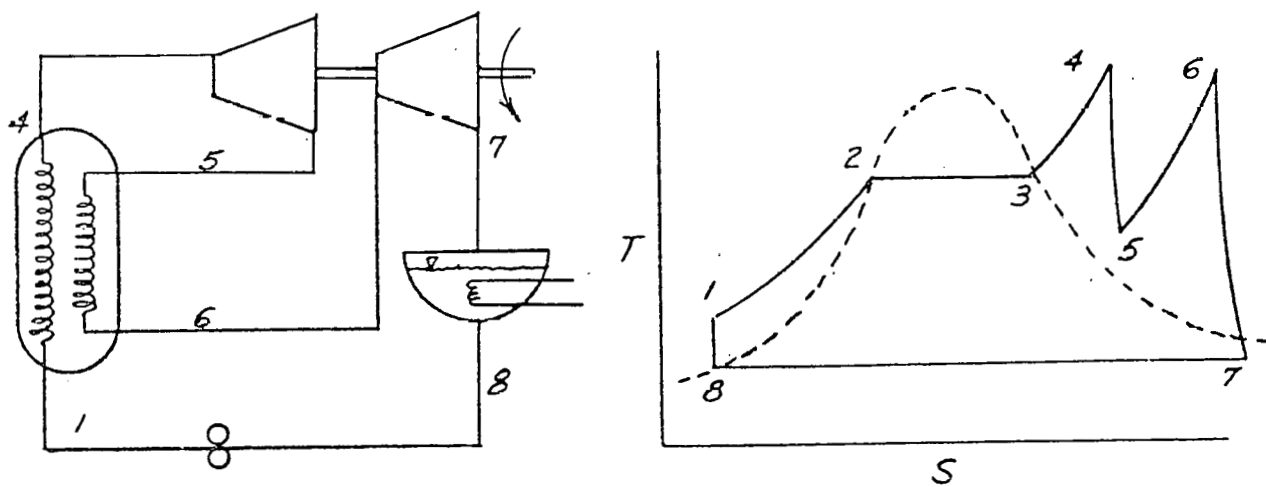


Figure 2. Rankine Cycle with Reheat

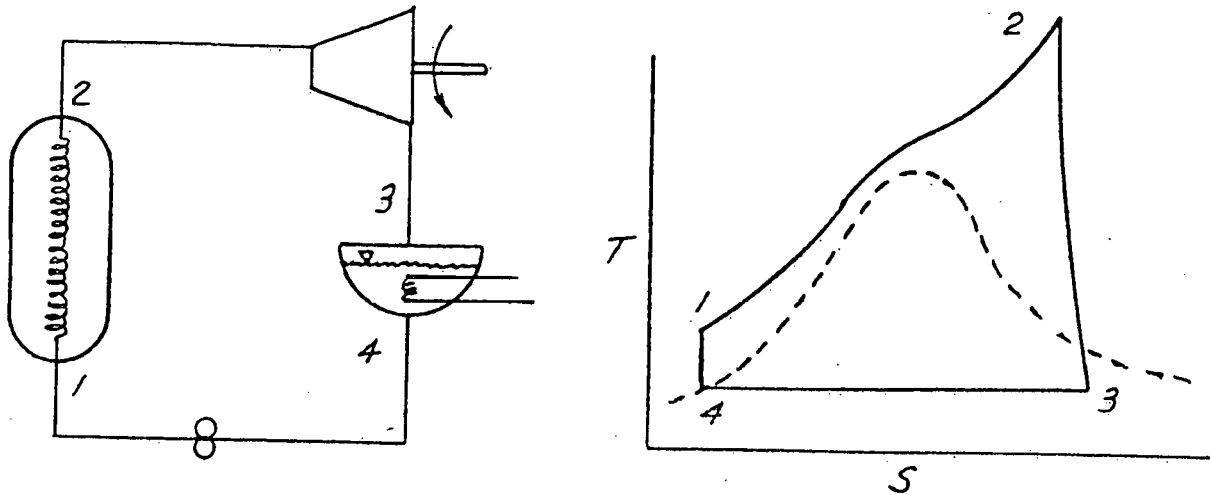


Figure 3. Supercritical Rankine Cycle

Table I. System Cooling Requirements

● Heat Load	5 MW	15 mil. Btu/hr
● Working Fluid Flowrate	1.46 kg/sec	11600 lb/hr (23 gpm)
● Fluid Inlet Conditions to Generator (Primary)		
- Temperature	43 C	110 F
- Pressure	85 ATMOS	1250 psia
● Fluid Outlet Conditions from Generator (Primary)		
- Temperature	510 C	950 F
- Pressure	85 ATMOS	1250 psia
● Fluid Inlet Conditions to Generator (Secondary)		
- Temperature		500 F
- Pressure		200 psia
● Fluid Inlet Conditions to Generator (Tertiary)		
- Temperature		575 F
- Pressure		1250 psia

supercritical cycle is to be tested, the pump must be able to provide water at supercritical pressure.

Superheated steam outlet conditions will be in the order of 510 C and 85 ATMOS. If a closed cycle system is used, the system must be able to condition this fluid to the primary inlet conditions of the steam generator. This will require rejecting approximately 5 MW and reduce the temperature to 43 C while maintaining the pressure at 85 ATMOS. If an open cycle is used, the superheated steam can be dumped (i.e., into a cooling pond).

The availability of secondary and tertiary inlet fluid is desirable. Secondary fluid conditions may be 200 psia and 500 F which essentially corresponds to the low pressure inlet fluid to the steam generator in the reheat cycle (Figure 2). The tertiary condition is probably the saturated steam condition (S) in Figure 1. This flexibility would be useful to perform tests on the steam generator superheater.

Radiant Energy Source. The radiant energy source (Table II) should be in the order of at least 5 MW thermal. The maximum energy flux on the steam generator should be at least 1 MW/sq. meter in order to simulate the incident energy from a collector system. The system must be able to sustain energy/flux levels for periods sufficient to establish steady state operations. The irradiated area (beam) must be of sufficient size to cover the steam generator heating surfaces. It is estimated that a beam of approximately 5 sq. meters may be necessary.

There are radiant energy requirements which are yet undefined. These include a requirement to be able to provide a uniform incident flux across the entire test area to within \pm TBD. Additionally, there will be a requirement to vary the flux level from zero to the maximum level in a continuous manner. The rate of change of the intensity will be dictated by considerations such as the simulation of cloud movement across the collector field. An additional requirement is to be able to control discrete sections of the beam independently of each other. This will enable heating of various sections of the steam generator independently of the other sections.

The heat load should be programmable. This will allow the development of heat load tapes and will obviate "turning knobs" during the test. The system must be calibrated so that heat fluxes are known at both the test facility/steam generator interface and directly at the tube surface.

Instrumentation. It is believed that at this point in the program, one must provide as much instrumentation (Table III) as possible. The steam generator contractor must provide all instrumentation physically attached to his test article. The test facility must be able to process the data from the contractor's measuring instruments, and also measure and process data defining the test facility performance during test.

The instrumentation will consist of items such as pressure gauges, thermistors, flow meters, radiometers, and strain gauges.

Table II. Radiant Energy Source

● Minimum Energy Level	5 MW
● Maximum Intensity (at least)	1 MW/sq. m.
● Beam Size (Approximately)	5 sq. m.
● Beam Flux Characteristics	
- Uniformity	±TBD
- Variability	0 to at least 1 MW/sq m
- Rate of Change	TBD W/sq m - sec
- Number of Discrete Uniform Controllable Subsections Within Beam	TBD
● Requirement for Programmed Control of Individual Subsections	Yes
● Calibration Requirement	
- Flux at Generator Surface	
- Flux at Generator Interface	

Table III. Instrumentation

● Pressure Gages	0 to 15000 psia
● Thermistors	32 to 1200 F.
● Flow Meters	0 to 12000 lb/hr
Compressed Water	
Steam	
● Calorimeters	
Steam Quality	
● Radiometers	
Heat Leak	
Radiant Energy	
● Strain Gages	
High Temperature	
● Recorders	approximately 1000 channels
Digital	
Strip	
Gage	
Stored Tape	
● Water Purity Measurement	
● Programmed Heat Load	
● Process Plant Type Water Flow Control System	
● Constant Head Variable Speed Pump	
● Inlet and Outlet Flow Control Based on Temperature	

Also test equipment such as steam quality calorimeters and water purity monitoring apparatus will be necessary. Data should be displayed in digital read-outs, strip charts, and gauges; the data should also be stored on tape. A measurement capability in the order of 1000 channels may be necessary.

Control System. The primary control requirements are the provision to program the heat load, and to control water flow rates to simulate various exit fluid temperature and pressure combinations which are required to simulate actual operational conditions, both steady state and transient.

2.2 Collector

The objective of the Collector Subsystem Research Experiments is to assure that the collector subsystem equipments can be produced, installed, and operated in a cost effective manner. The subsystem will consist of many reflective units (heliostats), each capable of continuously directing the reflected rays of the sun to the absorptive sections of the receiver. These units will consist of three basic components: (1) reflective surface(s), (2) supporting structure and mount, and (3) control loop and drive mechanism. The specific design features of the subsystem are intimately correlated with those of the receiver and an effective design balance between these two subsystems is required for any optimization of the Central Receiver POCE Preliminary Design. Since there seem to be no significant technological developments (except perhaps material lifetimes) required to accomplish a collector subsystem design, the testing objective, as stated above, is one of cost effectiveness for the total system design. Therefore, there seems to be little need for exotic or highly specialized optical laboratory test facilities, or original and exhaustive procedures, beyond that necessary to establish compliance with those specifications derived from receiver/collector compatibility. Each of the possible receiver configurations will impose particular specifications on the collector configuration such as: reflected image size, flux distribution, pointing and tracking accuracies, etc. An interface of concern can be expected between the reflective surface(s) and the supporting structure which may produce variable image distortions due to temperature, inertia, sag, wind, etc.

2.3 Thermal Storage

The objectives of the Thermal Storage Subsystem Research Experiments are similar to those for the Receiver Subsystem (Section 2.1). The Thermal Storage Subsystem should provide an efficient economical method to smooth out system transients and extend the power plant operation into periods of reduced insolation. The Thermal Storage Subsystem configuration will be directly influenced by the receiver output characteristics as well as the requirement for sustaining energy flow to the turbine generator during periods of inadequate receiver output. Whereas the energy source for the receiver tests is radiant heat, the energy source for the Thermal Storage test model or module should simulate the output of the receiver (see Figures 1,2, and 3).

3.0 FACILITY REVIEW

3.1 Receiver

The facilities which have been identified as potentially providing some useful capability for the receiver model or module tests for the Central Receiver Project may be classified in three categories: (1) Solar Furnaces, (2) Solar Simulators; and (3) High Flux Radiant Heat Facilities.

(1) Solar furnaces concentrate the sun's radiant energy into relatively small test volumes and produce very high temperatures (at least 4000 degrees K) at the center of the test volume.

There are two solar furnaces which have been identified for use in the NSF test program, one in Southern France and one at White Sands Missile Range in New Mexico. The basic capabilities of these facilities are summarized in Table IV with more detailed information contained in Sections 3.1.1 and 3.1.2. The Solar Furnaces were developed and designed to produce a very high solar flux in a limited test volume. The French facility has a rated capacity of 1 MWth and is being adapted to test early concepts of a cavity receiver. The White Sands Furnace has a capacity of approximately 35 KWth and is limited to small area material and component testing.

(2) Solar Simulators are designed and used to simulate the solar spectral radiation with concentrations much lower than that required for receiver module testing. There are many of these facilities varying from modest capabilities, size, and power, to large units which provide space simulated conditions for the study of thermal responses of entire large space vehicles. Even though these larger facilities have high power capabilities (i.e., some greater than 7 MW), the flux levels of incident radiation on test surfaces is significantly below that required for operational tests of receiver modules or models. Some use of these facilities may be made at these lower flux levels to verify materials for surface absorption and reflectivity. By use of optical collectors or concentrators, high flux levels can be attained over relatively small areas. In this respect, these facilities suffer the same limitation as the solar furnace at White Sands. Table V summarizes some of the capabilities of a few solar simulation facilities. Additional information may be found in Sections 3.1.3 through 3.1.6.

(3) Radiant heat facilities have been developed to produce high temperatures to simulate various environments of nuclear bursts, re-entry heating, fires, etc., and to study their effects on materials, components, and fuel assemblies. These high flux values and high temperatures are achieved with quartz lamp banks for flux levels up to approximately 100 Btu/sq ft-sec (113 W/sq cm) and with graphite radiant heaters approaching 500 Btu/sq ft-sec. Match of the radiated energy is in the I.R. and does not simulate the solar spectrum. However, there seems little hope, short of the POCE pilot plant or a special solar thermal test facility, of matching the solar spectrum at the high energy levels required to demonstrate the feasibility of receiver

Table IV. Solar Furnaces

Dimensions: Feet (Meters)	CNRS IMW Odeillo-Font Romeu France	U. S. Army Nuclear Weapon Effects Lab. White Sands Missile Range New Mexico (35 KW)
<u>Heliostats</u>		
Number of Heliostats	63	1
Size of Heliostats	19.7 × 24.6 (6 × 7.5)	36 × 40 (11 × 12.2)
Number of Mirrors per Heliostat	180	356
Mirror Size	1.64 × 1.64 (0.5 × 0.5)	2.03 × 2.03 (0.62 × 0.62)
Number of Heliostat Mirrors	11,340	356
Total Heliostat Mirror Area	30,515 (2,835)	1,472 (137)
<u>Concentrator</u>		
Configuration	Parabolic	Spherical
Size	131 × 177 (40 × 54)	28 × 28 (8.5 × 8.5)
Focal Length	59 (18)	35.7 (10.9)
Number of Mirrors	9,500	180
Mirror Size	17.7 × 17.7 (0.45 × 0.45)	90 @ 24.4 × 24.4 (0.62 × 0.62)
Mirror Configuration	Flat panes bent by mechanical constraint to minimize image size	90 @ 25.2 × 26 (0.64 × 0.66)
Total Mirror Area	20,707 (1,923)	Spherical 781 (72.6)
<u>Flux Distribution</u> (See Fig. 4)		
Normal to Optical Axis	1600 W/cm ² @ ~1 cm	400 W/cm ² @ ~ >1 cm
at Focal Plane, Distance	1200 W/cm ² @ ~6 cm	200 W/cm ² @ ~ <5 cm
from Optical Axis	800 W/cm ² @ ~10 cm	100 W/cm ² @ ~ <6 cm
	400 W/cm ² @ ~15 cm	50 W/cm ² @ ~ <65 mm
	160 W/cm ² @ ~23 cm	
Along Optical Axis, Distance	1600 W/cm ² @ ~1 cm	400 W/cm ² @ ~4 cm
from Focal Plane	1200 W/cm ² @ ~ >10 cm	200 W/cm ² @ ~13 cm
	800 W/cm ² @ ~ <14 cm	100 W/cm ² @ ~22 cm
	400 W/cm ² @ ~ >21 cm	50 W/cm ² @ ~27 cm
<u>System Cooling</u>		
<u>Instrumentation</u>		
Data Handling		
<u>Contact</u> *	Mr. J. D. Walton, Jr. (404) 894-3661	Mr. Marvin Squires (915) 678-1161
<u>References</u>	Solar Energy, 1973, Vol 15, pp 57-66, "High Temperature Solar Energy," Engineering Experiment Station, Georgia Institute of Technology	"Experimenter's Guide" for the Nuclear Weapons Effects Laboratory at White Sands Missile Range, Section 10, Solar Energy, Vol 1, No. 2, 3, 1957, pp 16-22 Visit 19 November 1974

* The individual listed provided most of the information listed and is not necessarily associated directly with the ownership or operation of the facility.

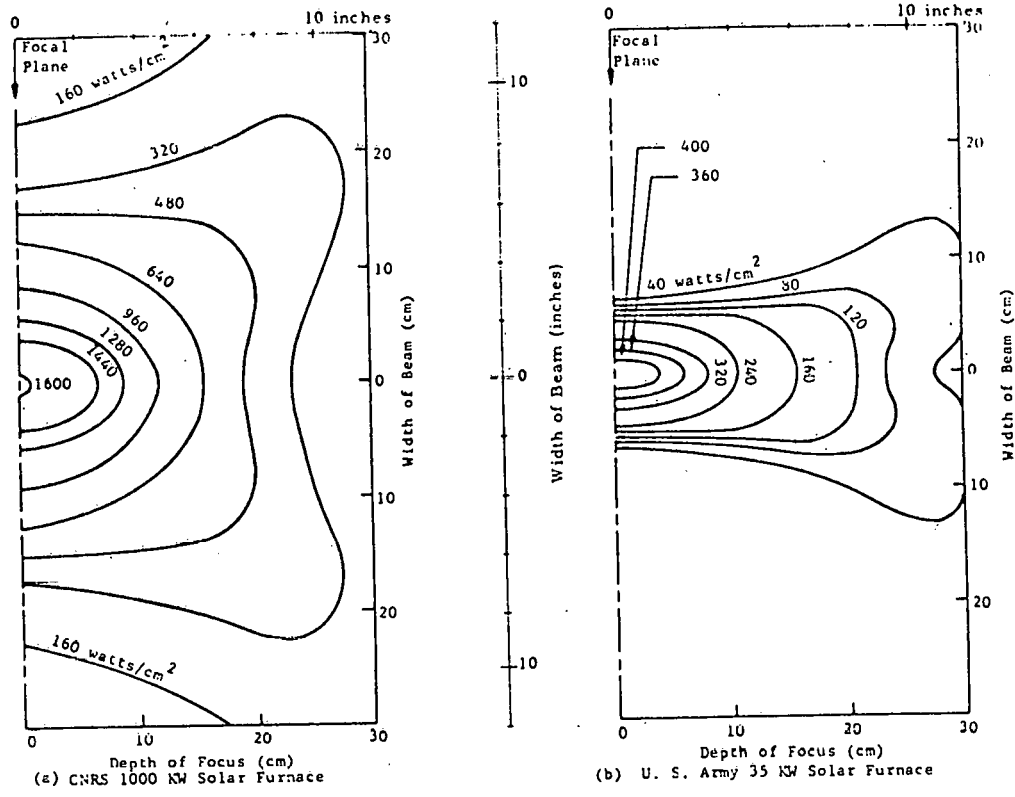


Figure 4. Image Contours in Horizontal Plane

Table V. Solar Simulators

Table V. Solar Simulators

	Arnold Engineering Development Center		NASA-Lewis Research Center		JPL Pasadena	G. E. Valley Forge Space Center Aerothermal Test Facility
			Solar Simulator	Thermal Simulator		
Power	800 KWe 50 channels @ 15 KW	140 KWe	450 KW D. C. arc lamps 50 KW output	~ 7 MWe	1.11 MWe	740 KWe
Type	T-3 quartz	7 - 20 KW Xenon arc	Arc lamps	1 KW Tungsten lamps	37 - 30 KW Xenon lamps	148 - 5 KW Xenon arc
Test Area		Aerospace Chamber 8 ft dia. x 8 ft high	Up to 450 ft ²	16 ft dia. x 57 ft	20 in dia.	Up to 15 ft dia.
Flux Levels	1-2 Suns	~ 20 Suns	1 Sun @ 450 ft ² - 1000 suns @ 18 in dia.	- 2 W/cm ²	- 11 suns @ 20 in dia.	- 30 suns @ 16 in dia. - 100 suns @ 8 in dia.
Instrumentation Data Channels						000 for Thermocouples
Water Flow Available						
Contact	Mr. David Anderson (Aero Inc.) (615) 455-2661 x7741		Mr. Harvey Bloomfield Mr. Roy Pickrell (216) 433-4000 x 6733		Mr. H. Norman Riise (213) 354-2049	Mr. R. G. Shouberg (215) 962-4008
Reference	"Test Highlights" AEDC August 1974 "Test Facilities Handbook" AEDC May 1974		NASA TMX-68042 "400 Kilowatt Argon Arc Lamp for Solar Simulation"			G. E. Valley Forge "Environmental Simulation and Test Capabilities"

designs. Therefore, these large radiant heat facilities seem to offer a compromise of capabilities for testing the large components or modules of the proposed receivers. Table VI summarizes characteristics of the radiant heat facilities identified in this report. Additional information may be found in Sections 3.1.7 through 3.1.10.

Table VI. Radiant Heat Facilities

	Sandia Laboratories Albuquerque, New Mexico	NASA Flight Research Center Edwards, California	USAF Flight Dynamics Lab. Wright Patterson AFB Dayton, Ohio	McDonnell Aircraft Co. St. Louis, Missouri	NASA J. S. C. Houston, Texas	Rockwell International Downey, California (NASA J. S. C. Owned)
<u>Power</u>						
Total Input:						
Steady State	5 MWe	2.3 MWe (Analog Controller) 5 MWe (day) Digital Contr. 20 MWe (night)	23 MWe	7.5 MWe	5 MWe	5 MWe
Peak Transient	20 MWe for 40 sec (transformer limited)	"Significant overload can be tolerated for short periods"	50 MWe for 5 min	34.5 MWe for 60 sec (transformer limited)	?	?
Total Delivered to Test Area	?	?	?	4.5 MWth	?	?
Radiator Type(s)	T-3 Quartz Lamps Graphite radiant	T-3 Quartz Lamps	Quartz Lamps Graphite radiant	T-3 Quartz Lamps Graphite radiant	T-3 Quartz Lamps Graphite radiant	T-3 Quartz Lamps Graphite radiant (no permanent heater arrays, flexible make-up)
Maximum Flux Density at Test (Steady State)	>100 W/cm ² (Quartz) >400 W/cm ² (Graphite)	>100 W/cm ² (Quartz)	>100 W/cm ²	~100 W/cm ² (Quartz) >500 W/cm ² (Graphite)		
Maximum Test Area (Beam size) (@ 100 W/cm ²)	Power limited, "test items up to 17' high can be accommodated"	Power limited, test area 150' x 120' x 40' high (10' x 10' have been used)	?	"Up to 32 ft ² " (power limited)	~50 ft ² , i. e., 6' x 8'	
<u>Flux Distribution Control</u>						
Number of Beam Subsections	8 channels of 3 phase Ignitron Tube Controllers	24 with Analog Controllers (Ignitron power regulators) 512 with Digital Controllers (Solid State SCR)	Grid Flux Control 80 channels of 580 KVA each Ignitron Power Controllers	3 channels of "E" Ignitron 54 channels of "B" Ignitron 57 Total-Separate Control	22 heater channels	36 stationary channels of 400 Amp @ 480 volts
Flux Uniformity/Subsection	?	?	?	?	?	?
Flux Variability/Subsection	?	Zero to maximum values	?	Zero to maximum per heater	?	?
Flux Rate of Variation/ Subsection	For T-3 Quartz Lamps: to 75% radiation in 2-3 sec on; to 10% radiation in 2-3 sec off	?	?	Configuration dependent ~500 W/cm ² per sec (see curve Fig. 25)	?	?
Calibration Method	?	Thermocouple feedback Heat flux sensor feedback	?	Thermocouple feedback Heat flux sensor feedback	?	?
<u>Heat Management</u>						
Working Fluid Flow/ Quality	?	~25 gpm	Demineralizing plant, 2 bed system designed for contin- uous operation of 40 gpm	300 gpm @ 80 psi 120 gpm @ 1000 psi Recirculate conditioned water Pump-thru heat exchanger	?	?
Cooling System Flow/ Heat Rejection	~700 gpm Closed-loop water system with 300,000 gal. stor- age tank 4,200,000 Btu/hr cooling tower	Air Circulation--no specific heat rejection system identified	2 cooling systems 1-600 gpm - 4.4 x 10 ⁶ Btu/hr 2-3440 gpm - 1.0 x 10 ⁷ Btu/hr	Heat exchanger - tube/tank intake from water main - discharge to sewer	Heat exchanger system for heat rejection in alti- tude chamber	Cooling tower ~100 psi and 200 gpm

Table VI. (Continued)

	Sandia Laboratories Albuquerque, New Mexico	NASA Flight Research Center Edwards, California	USAF Flight Dynamics Lab. Wright Patterson AFB Dayton, Ohio	McDonnell Aircraft Co. St. Louis, Missouri	NASA J.S.C. Houston, Texas	Rockwell International Downey, California (NASA J.S.C. Owned)
<u>Data Handling</u>						
Data Recording	Honeywell DDP-116 Midwestern Mod 4000 Tape Deck Vermont Res Mod 108A. Magnetic Drum Astrodata A to D Converter ASR-35 Typewriter Mohawk Data Sciences 4320 printer Sorobaa Mod 6C02 card reader	1200 measurement channels A to D Converters Tape Dicks - IBM 360 9-track format IBM 260 Gen Purp Comp 20 channel CRT displays	Nearly 2000 data channels	400 channel Control Data Acquisition System 100 channel Dymec digital magnetic tape 50 channel Mini-data digital magnetic tape Quick-Look printers	?	New digital (state of art) 7 "stand alone" mini computers, real time plotting and display ~300 channels of milli- volt instrumentation - any mix
Instrumentation	Calorimeters Radiometers Thermocouples Strain gages	320 Strain gages 400 Thermocouples 80 position transducers	"Plenty"	Thermocouples	?	?
<u>Other Services</u>						
Boiler	50,000 lb/hr steam @ 175 psig 100,000 ft ³ /min overhead draft fan	?	?	150 psi saturated steam	?	?
Storage Tanks	High pressure, large volume Nitrogen, Oxygen, and Argon gas storage	?	?	?	?	?
Compressed Air	2,800 ft ³ storage @ 140 psi	845 ft ³ /min @ 60 psi 16 tiedown slots @ 6' O.C. 7 Instrument Wire Trenches 7 Electrical Power Trenches 5 Mechanical Trenches Closed-Circuit TV Monitors Remote Control of tilt, pan, focus, and zoom	?	Normal "shop air" air tools, etc. Indoor 50' high bay area Structural Test jig with reinforced floor	?	?
<u>Contact</u> *	Mr. Paul Adams (505) 264-3169	Mr. Walt Sefic (805) 258-3311 X674	Mr. H. B. Lowndes, Jr. Mr. Fred Hussong (513) 255-3973	Mr. Dick Q. Durant (314) 232-5076	Mr. Don Tillian (713) 483-2376 Mr. Dick Bricker (713) 483-3166	Mr. Murry Suppanz (213) 922-2063
<u>Reference</u>	SC-RR-67-433 "The Sandia Corp. Radiant Heat Facility" August 1967	NASA TM X-1868 "NASA High Temperature Loads Calibration Labora- tory" September 1969 Visit: 19 December 1974		"High Flux, High Temperature Radiant Heating--A Review of Capability" May 1974		

* The individual listed provided most of the information listed and is not necessarily associated directly with the ownership or operation of the facility.

3.1.1 The French CNRS Solar Furnace

The French solar furnace is located in the Pyrenees at Odeillo-Font Romeu (altitude, 5900 feet), about 20 miles east of Andorra. At this location the sun shines as many as 180 days a year and solar intensities as high as 1000 watts per square meter are common. The solar furnace was completed in 1950 at a cost of about \$2,000,000.

The parabolic reflector has a focal length of 59 feet (18 meters), is 130 feet high and 175 feet wide, and is composed of 9500 mirrors 17.7 inches by 17.7 inches (1/2 m x 1/2 m). Since the parabolic reflector is too large to track the sun, 63 smaller mirrors (heliostats) set in eight tiers are used to follow the sun and reflect its ray in parallel beams onto the parabola. The heliostats are 24.6 by 19.7 feet and each is composed of 180 mirrors 19.7 inches by 19.7 inches.

The movement of each heliostat is automatically guided by electronic controls operated by reflected rays. The accuracy of the control is 1 min of arc, but due to dispersion on the flat glass, 5 min of arc are obtained on the reflected rays.

A solar beam of constant energy is directly horizontally southward to a paraboloid reflector of 1923 sq m intercepted area. This paraboloid contains 9500 single glass panes, bent by mechanical constraint and adjusted to reflect maximum radiation to the focal plane, situated 18 m from the apex of the parabola. The precise adjustment of these two devices, completed on October 1, 1970 took about two years.

Results of tests concerning the energy received at the focal image are as follows:

(1) The energy collection closely agrees with calculations, taking into account the factors of reflectivity of glass, and the dispersion due to imperfect curvature of mirrors and to shading. (2) Power beyond 1000 kW was obtained with the device, when the incident solar energy was more than 0.1 W/sq cm. (3) The energy concentration in the center of the focus-image is equal to black-body radiation around 3800 degrees C.

The orientating device (Collector subsystem, Figures 5 & 6) consists of 63 independent heliostats which are automatically operated by photoelectric control of their reflected rays. The driving parts, electronically coupled with the photoelectric control, are hydraulic. A reservoir of oil under pressure (Figure 6, point C) furnishes the hydraulic azimuth activation of the heliostats.

Each heliostat collecting surface, which is 45 sq m, is made of 180 flat glass panes, back-silvered and covered with copper and varnish.

It should be noted that the vitreous reflection, which is important above some value of the inclination of the incident rays, correctly shares in the lighting of the paraboloid.

Furthermore, the arrangement of heliostat positions appropriately accounts for the apparent diameter of the sun. In such a way a reflected beam which is homogeneous and equivalent to that which would be given by only one large orientator can be achieved.

Figure 7 gives the distribution of the flux density on a vertical plane located 18 m from the apex of the paraboloid. The value $\underline{d} = 17$ cm (6.6 inches) represents the diameter of the image of the sun given by a mirror of low aperture (Gauss image) near the focal axis. The energy scanning of the geometrical focal vertical plane on an east-west line across the focal axis gives the profile of distribution shown in Figure 8 (curve 0). Behind this plane a considerable decrease in the heat flux density is noticed (curves at the distances $\underline{d}/2$ and \underline{d} from the focal plane, Figure 8).

Since the paraboloid is truncated at the bottom, the energy distribution at the focus comes chiefly from the side and upper parts of the reflecting area.

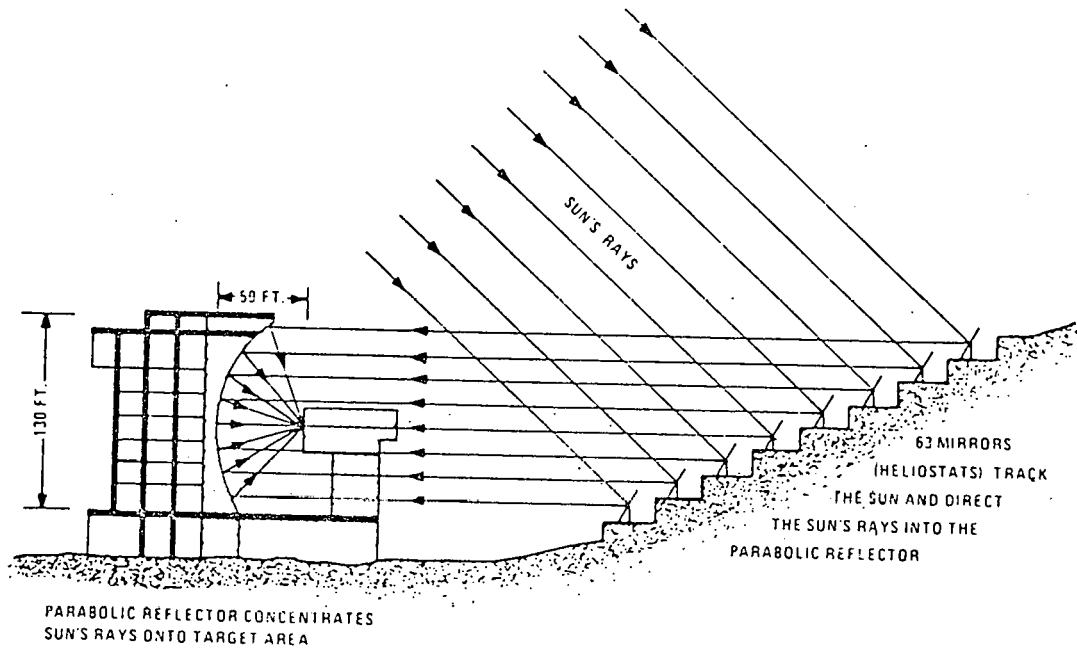


Figure 5. Schematic of 1000 kw Solar Furnace

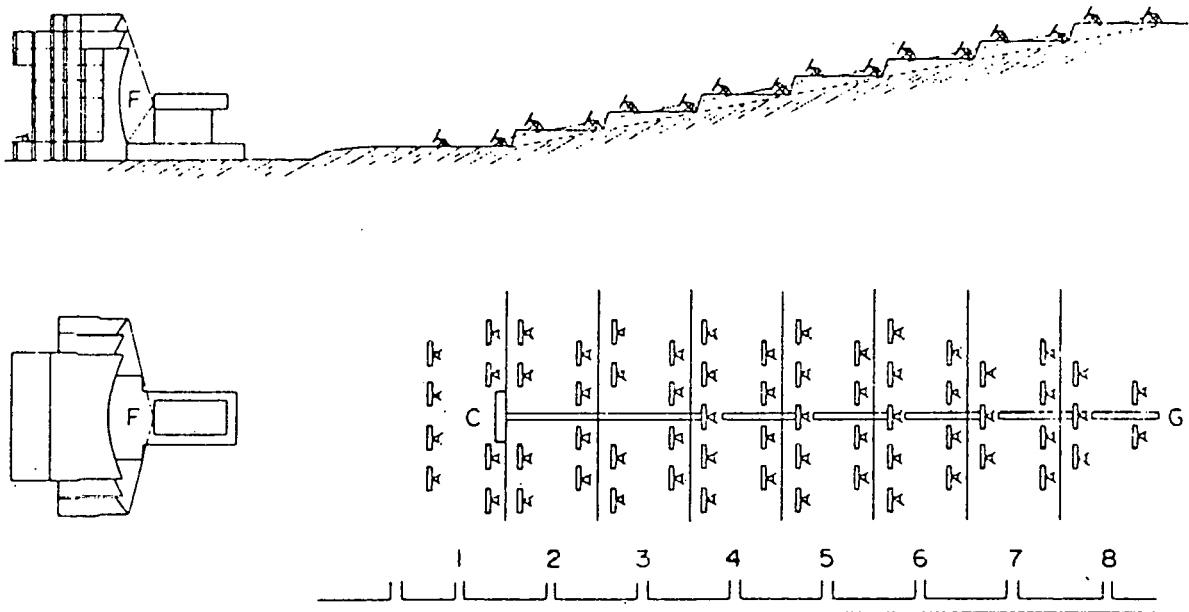


Figure 6. Solar Furnace Scheme

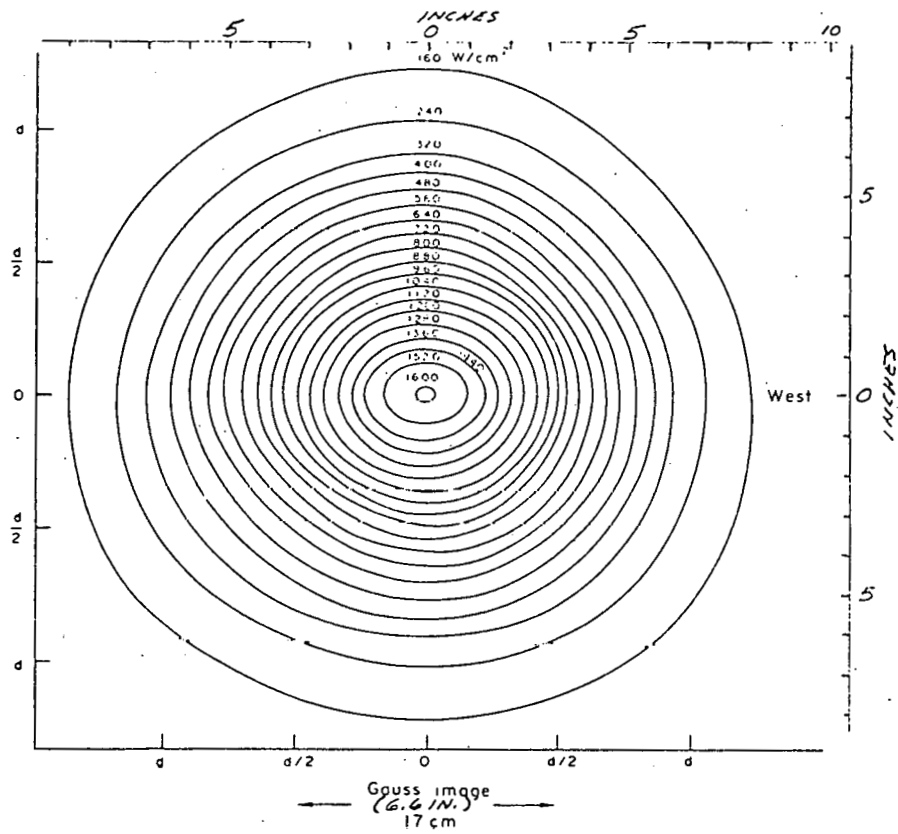


Figure 7. Distribution of Heat Flux Density on a Vertical Plane

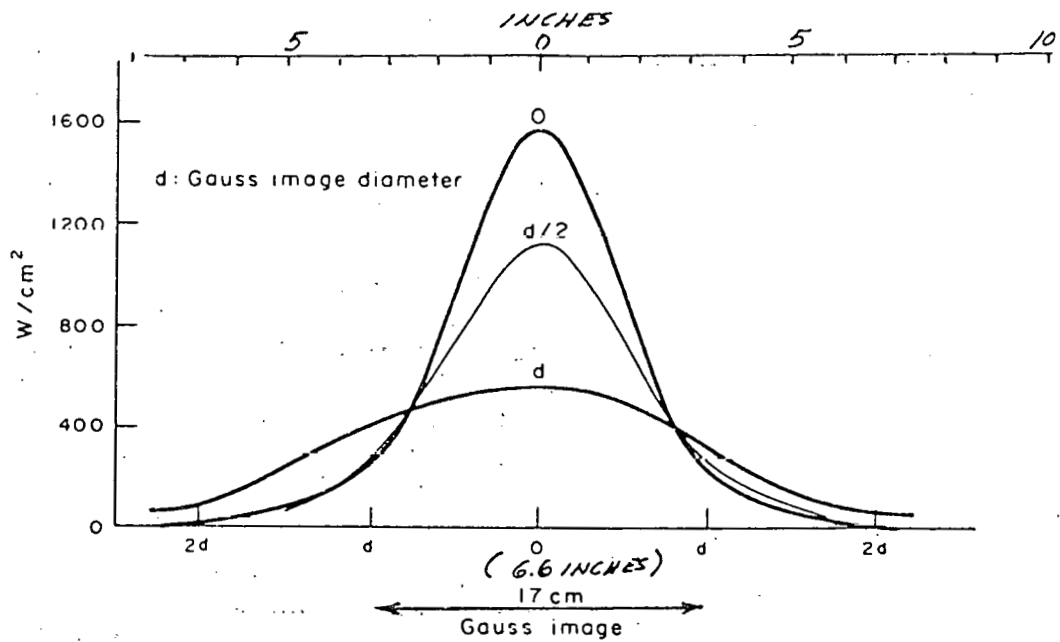


Figure 8. Profile of Heat Flux Density

3.1.2 U. S. Army Solar Furnace

Characteristics. The Thermal Effects Facility (Solar Furnace) at White Sands Missile Range is a solar furnace of the focusing type which utilizes an effective aperture to focal length ratio of less than one. It consists of four main components: the heliostat, the attenuator, the concentrator, and the control and test chamber. The heliostat consists of 356 mirrors, each 2 feet by 2 feet mounted on a steel frame 40 feet wide and 36 feet high. In operation, it reflects the sun's rays to the concentrator. The concentrator consists of 180 spherical mirrors, each approximately 2 feet by 2 feet and mounted on a steel frame 30 feet by 30 feet and located 96 feet south of the heliostat. Each mirror comprising the concentrator is individually focused to concentrate the sun's rays at the same point on the focal plane, which is located inside the test and control chamber. The attenuator which is located between the test and control chamber and the concentrator consists of a louver structure whose blades can be adjusted to regulate the amount of sunlight reaching the concentrator. The test chamber which is eight feet by eight feet in cross-section normal to the parallel sunrays from the heliostat and 16 feet in length, contains the controls for the heliostat and the attenuator. The control chamber also contains the controls for the exposure shutter for exposures as short as 0.1 second and for the slow water-cooled shutter designed to protect the exposure shutter until just before the exposure is made.

Operating Characteristics

Flux Level. The thermal flux at the focal plane of the solar furnace depends primarily on the amount of reflected sunlight reaching the concentrator. This quantity is controlled by the attenuator. The attenuator is operated from the control chamber. The image of the sun at the focal plane is approximately four inches in diameter. The maximum flux obtainable at the center of the image is 100 cal/sq cm per second (approximately 420 W/sq cm) at the focal plane. Larger exposure areas can be obtained, but at lower flux levels by defocusing; i.e., moving away from the focal plane.

Pulse Width. The solar radiation pulse at the focal plane is determined by the exposure shutter. The length of time the exposure shutter stays open is preselected by the operator at the control console. In addition to the fast shutter, a pulse shaper can be swung into position in the converging beam about 40 inches in front of the focal plane. The pulse shaper consists of an array of 16 radial vanes, each 1-1/2 feet long. These vanes are driven at variable speed by a specially constructed cam controlling the irradiance at the target. It modifies an otherwise rectangular pulse at the focal plane into shaped thermal pulses corresponding to the range of nuclear weapons from 25 kt to the megaton range. There is some variation in shape over this range because of the acceleration of the vanes necessary to produce this shape.

Environment. A graph of the solar irradiance in calories/sq cm per second as a function of distance from the image center at the focal plane is shown in Figure 9. This graph was obtained using a radiometer at the solar furnace's former location at Natick, Massachusetts.

Size of Experiments. Because of the small exposure volume of the test chamber, the dimension of the test item along the focal plane of the solar furnace cannot be greater than approximately four feet. Instrumentation cables may be brought out of the test chamber through conduits provided for that purpose.

Support Capabilities

Staff. The primary purpose of the White Sands Thermal Facility is to provide a source of radiation for experiments designed to investigate radiation effects on materials and components of interest to the Department of Defense. Facility personnel will operate the solar furnace and provide full operational support. The on-site professional staff is readily available to the experimenter for consultation.

Electronics and Shop Facilities. Instrumentation is available to experimenters through previous arrangements with the technical coordinator. Also, a machine shop and the services of a machinist are available for needs that may arise during the course of the experiment or through previous arrangement.

Experiment Preparation Laboratories. Adequate experiment preparation laboratories, personnel offices, security storage, radioactive storage, radiation chemistry laboratories, and conference rooms are available at the site.

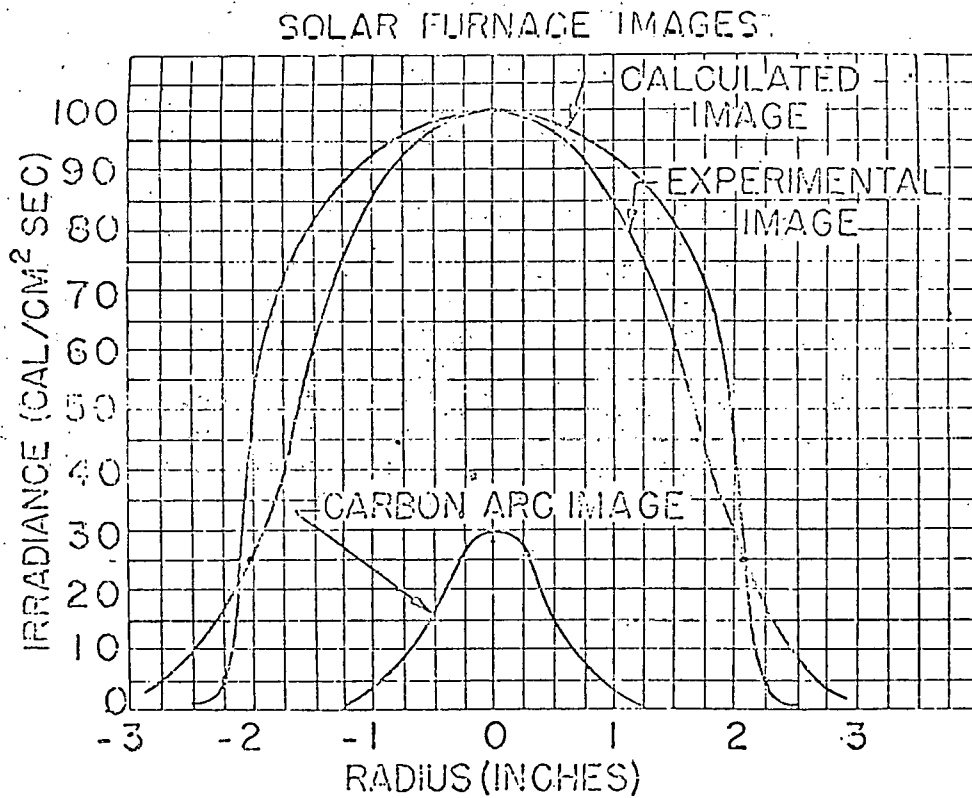


Figure 9. Irradiance Profiles at Best Image Position

3.1.3 Arnold Engineering Development Center (AEDC), Arnold Air Force Station, Tullahoma, Tennessee.

AEDC has several solar simulators. The one of some interest to the receiver test experiments is a 140 KWe device with an efficiency of approximately 40%, delivering approximately 54 KWth to the test surface. This simulator could produce, through an optical concentration system, approximately 20 solar concentrations at best. The other simulators do not have the concentrating capability even though the largest is of approximately 800 KWe which produces low flux levels (1-2 solar concentrations).

The solar simulator is an off-axis, integrator system producing a well collimated and uniform beam over an 8-ft-diam by 8-ft-high test volume. The intensity within the test volume is one solar constant with a uniformity of ± 5 percent and a decollimation of ± 1.8 deg. The energy spectrum is typical of the 20-kw xenon short-arc lamp, seven of which are located in the source array. This spectrum is very similar to that of the sun except for an excess of energy in the near infrared. The simulator spectrum can be adjusted to more closely match the solar spectrum by filtering and by addition of 5-kw mercury-xenon lamps to the source array.

Planet Albedo and Radiance Simulator. The planet albedo (reflection of solar energy from a planet) and planet radiance are simulated by one system with as many as 1500 T-3 quartz-envelope tungsten filament lamps mounted in individual reflectors which may be spaced around the test article to irradiate it to the desired amount.

Each lamp has an output continuously adjustable from 0 to approximately 24 W/sq ft at a distance of 30 in. in front of the lamp reflector unit. This output is to within ± 5 percent and extends approximately ± 40 deg. to each side of the output centerline. The lamp units may be installed in multiples to further increase the level of the radiant energy. The lamps may be grouped in banks, each with its individual control circuit, so that the desired distribution of energy can be achieved on the vehicle surface. There are 50 channels of control circuits, each capable of delivering up to 15 kW.

The simulator units are attached to a birdcage arrangement surrounding the test vehicle. The birdcage is supported by the article handling system and is adjusted and tailored to adapt to different test article shapes, sizes, and requirements.

3.1.4 NASA Lewis Research Center, Cleveland, Ohio.

NASA Lewis has both a solar simulator and a thermal simulator. The solar simulator is housed in the space power facility chamber, 120 ft. high and 100 ft. in diameter (see Figure 10_) and is capable of radiating a 450 sq. ft. area with approximately the flux of one sun. By employing a focusing mirror, the flux level of approximately 10 suns can be achieved. Other focusing devices would have to be obtained to reach the 500 to 1000 times solar flux desired. With a nominal output level of approximately 50 KWth, the resulting test area would be about 1/2 sq. ft. if the radiation were uniformly distributed. The thermal simulator has about 7 MWe input power for 1 KW tungsten lamps mounted in aluminum. This unit was configured in a 16 ft. diameter by 57 ft. high, can be altered for various shapes, but is currently non-operational with little hope that it would be available.

Figure 10. Space Power Facility Solar Simulator

3.1.5 Jet Propulsion Laboratories, Pasadena, California.

JPL has a solar simulator using 37-30 KWe Xenon lamps. The radiation is directed through an optical "mixer" to 20 inches in diameter, producing approximately 11 solar concentration. Details and description of this facility were not available at the time of publication of this document.

3.1.6 G.E. Solar Simulator

The major component of the Space Environment Simulation Laboratory is the 54-foot high by 32-foot diameter solar-thermal-vacuum chamber. Capable of accommodating complete spacecraft up to 21 feet in diameter weighing as much as 44,000 pounds, the space chamber provides vacuum conditions from 10 to the minus 6 to 10 to the minus 9 Torr and the cold black characteristics of space. The interior surfaces of the solar-thermal-vacuum chamber are maintained at extremely low temperatures to simulate the low energy, completely absorbing characteristics of space. A system of black cooling panels is employed through which liquid nitrogen is circulated. (See Figure 11 and Table VII).

All surfaces facing a test vehicle have an emissivity of 0.95 or higher. The cryogenic panels are arrayed as shown in the schematic diagram and are covered with a three-quarter inch thick honeycomb. The baffle effect of the finned array combined with the multiple bounce path of the honeycomb produces the high emissivity. The off-axis design of the collimator affords simulation of the "cold, black, space" characteristics.

Energy radiated from a test spacecraft to the collimating mirror is reflected to the cold chamber walls rather than re-radiated back to the spacecraft.

Radiation of about 30 solar constants occurs at the lens which covers a 16 inch diameter. Conceivably this can be re-imaged to achieve 100 solar constants on an 8 inch diameter area.

The GE Solar Simulator uses Xenon compact arc lamps as the source of radiant energy. Xenon, traditionally, is used as the best practical source for solar simulation. A comparison of the irradiance of the Xenon simulation and the air mass 2 sun is tabulated below:

<u>Wavelength Band</u> <u>(Microns)</u>	<u>Air Mass Two</u> <u>% of Total Energy</u>	<u>G.E. Simulator</u> <u>% of Total Energy</u>
0.25 - 0.40	2.67	5.3
0.40 - 0.70	44.30	30.8
0.70 - 1.10	36.15	41.7
1.10 - 1.50	9.55	11.5
1.50 -	<u>7.33</u>	<u>10.5</u>
	100.00%	100.0%

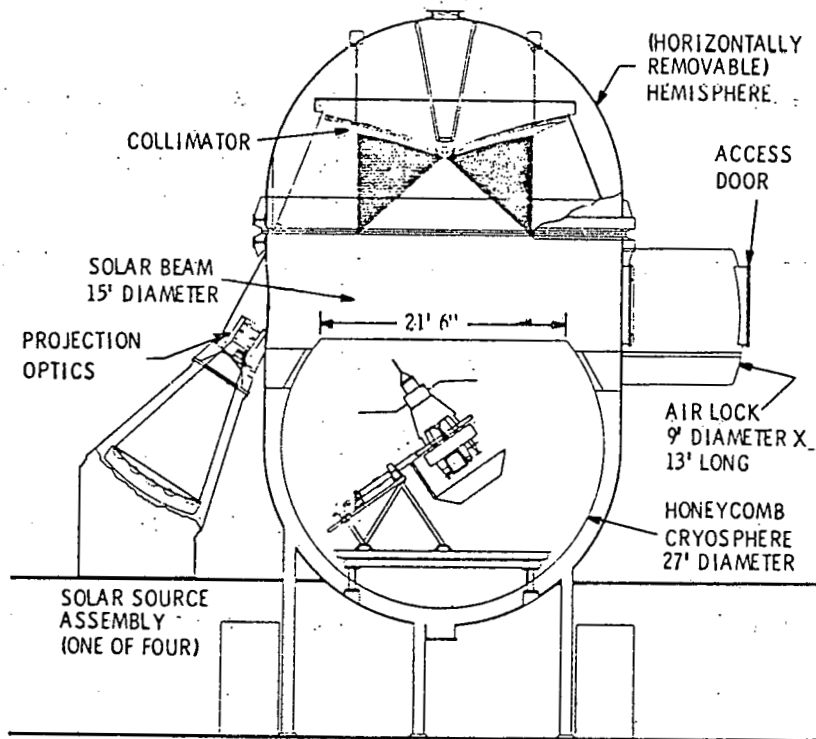


FIG. 11. Space Environment Simulation Laboratory

TABLE VII

SOLAR-THERMAL-VACUUM CHAMBER

CHARACTERISTICS

VACUUM CHAMBER

Size	Cylinder, 32 ft. diameter by 54 ft. high
Access	Upper hemisphere removable - door in side, 40 in. by 84 in.
Material	304 L stainless steel 3/4 in. thick
Vacuum	10 to the minus 5 to 10 to the minus 9 Torr

VACUUM PUMPING

Cryogenic	100 degrees K condensables (LN2) 3.4 x 10 to the eighth liters/second 20 degrees K condensables (GHe) 2.3 x 10 to the sixth liters/second
Oil Diffusion	Non-condensables (He, H2, Ne) 20,000 liters/second

WALL EMISSIVITY

0.90-0.95

SOLAR SIMULATION

Source	15-ft. diameter 148 5 kw xenon arc lamps
Collimator	Off-axis quadrisectioned glass mosaic paraboloid
Collimation	+3 degrees to +5 degrees
Intensity	120 watts/sq. ft. (feedback control)
Uniformity	+15% (volume and plane)
Maintenance	Lamps replaceable during operation

TEST CAPABILITY

Size	21-ft. diameter by 30 ft. high
Weight	44,000 pounds

OPERATING TIME

Startup	7 hours to 10 to the minus 7 Torr
Shutdown and warmup	20-24 hours

INSTRUMENTATION

800 channels for thermocouples

3.1.7 Sandia Laboratories Radiant Heat Facility, Albuquerque, New Mexico.

The Sandia Radiant Heat Facility is part of a high-temperature testing complex located in the Sandia Laboratories Remote Test Area. The facility was built to provide laboratory simulation of high-temperature environments on large assemblies. A wide range of thermal environments has been simulated: from high-level, short-duration programs simulating the thermal energy from a nuclear burst or launch pad abort fire; to intermediate-level and long-duration programs simulating transportation accident fires; to low-level, intermediate-duration programs simulating aerodynamic heating. The name, Radiant Heat Facility, comes from the fact that the radiant thermal energy is used as the primary mode of heat transfer. In the simulation of aerodynamic heating, no attempt is made to reproduce the mass flow effects.

The facility has eight channels of programmable, three-phase power controllers. Long-duration programs can be operated at a sustained level of 5 MW. Peak power level is approximately 20 MW for 40 seconds, twice an hour.

Thermal input is produced with either high-power lamps or graphite-resistance heaters. The radiant spectrum produced by these heat sources is shifted towards the infrared as compared to the solar spectrum.

Test items up to 17 ft. high can be accommodated inside the facility; an outdoor test pad is also available. The facility is located in a remote test area with widely separated facilities; thus, adequate safety precautions can be made for testing hazardous systems such as high-pressure steam generators.

Test data acquisition and reduction is accomplished on a dedicated, computerized data system located in the test complex.

Additional services which are available in the complex are: (1) a closed-loop cooling water system with a 300,000-gallon storage tank, (2) a 4,200,000 Btu/hr cooling tower, (3) a boiler capable of producing up to 50,000 lb/hr of steam at 175 psig, and (4) high-pressure, large-volume nitrogen, oxygen, and argon gas storage tanks.

Testing programs which could be handled include:

1. Evaluation of sections of full-scale items at rated heat flux levels.
2. Evaluation of scale models.
3. Evaluation of engineering design problems such as flow stability and thermal stress effects.

Figure 12 shows the location of the Radiant Heat Facility (Bldg. 6530) and the remote facility control point (located in

Bldg. 6540) relative to other facilities in Sandia's Environmental Test Area III. Figures 13 and 14 show the floor plan and elevation of the test bay of the Radiant Heat Facility.

I. POWER CONTROL APPARATUS

Control modules of the Radiant Heat Facility (RH-1) consist of eight channels of three-phase electrical pulsers designed to control alternating current pulses to electrical heaters. Electromechanical servo systems program and control each channel of the facility to effect temperature-time heating, heat flux control as a function of time, and simulation of aerodynamic heating.

A. Electrical Power Supply

The Radiant Heat Facility (RH-1) is supplied by a 44,000-volt transmission line which is separate from the transmission line used by all other facilities in Area III. Voltage to the ignitron controllers of the RH-1 facility is reduced to 2400/4160 grounded wye in a 5000-kVA transformer.

B. Maximum Power Capabilities

The maximum power output capability of the eight channels of the RH-1 facility is based on 95 percent of full-wave conduction of the ignitron tubes with a 2.4-kilovolt supply. The original specifications of the facility called for thermally rating the individual phase transformers to be suitable for one test of 40 seconds duration per hour to a maximum of 2.4 megawatts for each of the control channels, or a total of 19.2 megawatts for the eight control channels. Several years of operating experience has proven the original rating to

be conservative. No apparent degradation of the transformers has been observed as a result of two tests per hour at the specification thermal rating.

Higher current ratings are available in larger ignitron tubes which could increase the maximum power rating to 3.0 megawatts per channel; however, only one three-phase transformer bank is presently installed through which this power could be utilized.

D. Maximum Current Capabilities

Maximum current capability of the RH-1 facility is based on 95 percent of full-wave conduction of the ignitron tubes and is ruled by a number of thermal and electrical characteristics inherent in the ignitron tubes. Table VIII is a tabulation of operating maximums of the eight control channels.

D. Control Modes

Four basic modes of programming and feedback control are available in the RH-1 facility. These are:

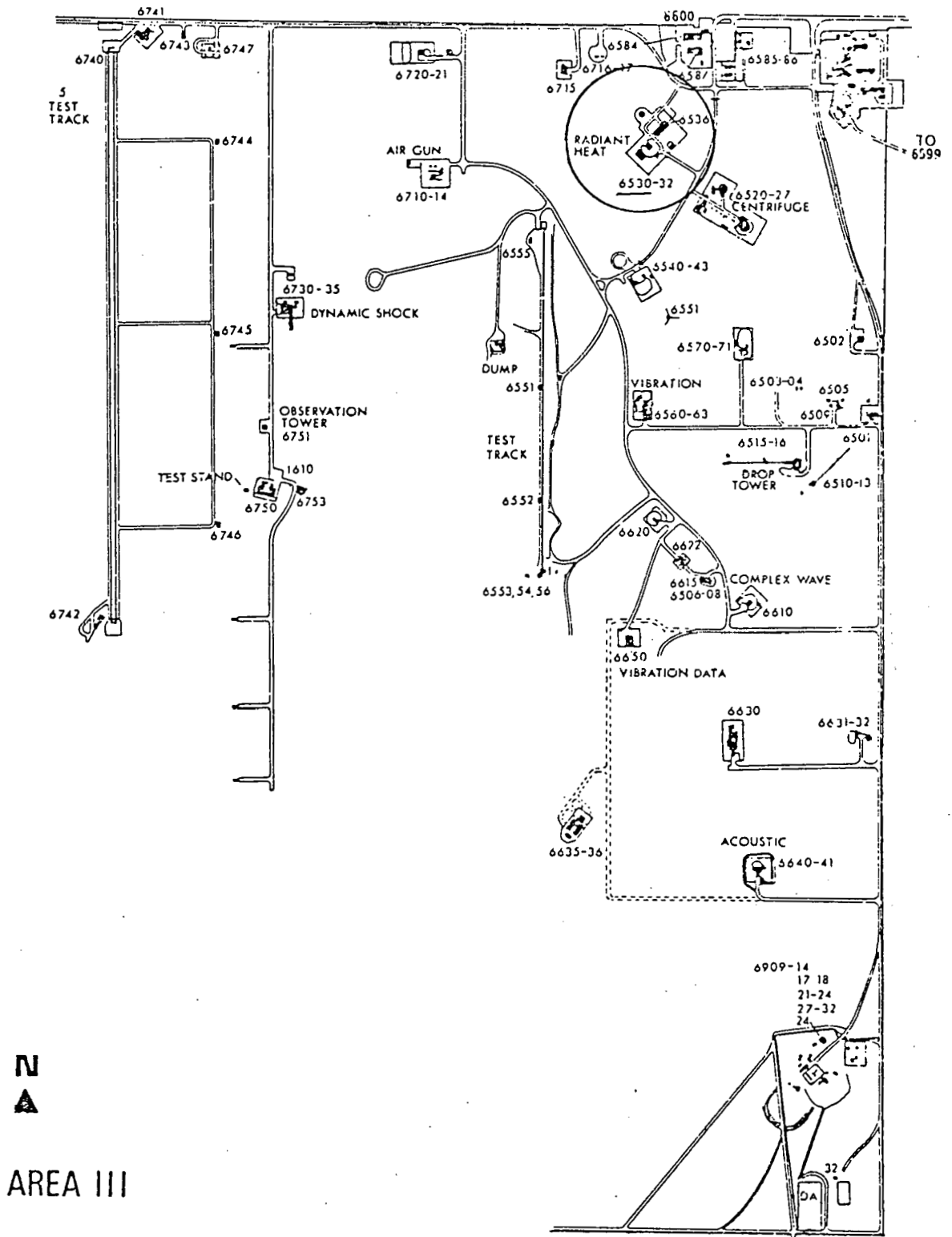


Figure 12. Location of Radiant Heat Facility

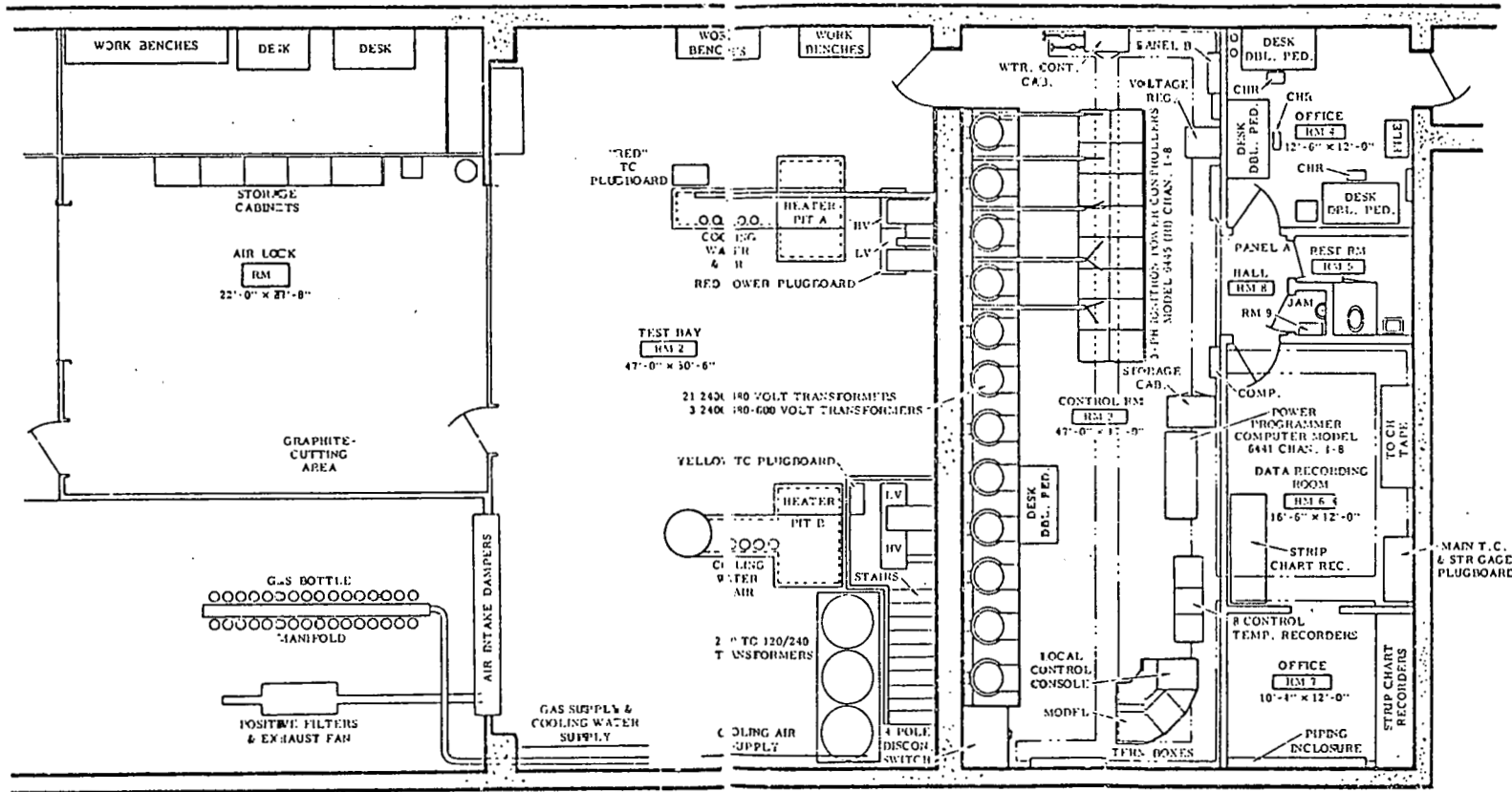


Figure 13. Floor Plan of Radiant Heat Facility

1. Heat Flux as a function of time (QT)
 - a. by power feedback,
 - b. by heat rate sensor feedback, and
 - c. by optical pyrometer feedback.
2. Temperature-Time (T-T)
 - a. by thermocouple feedback, and
 - b. by optical pyrometer feedback.
3. Simulation of Aerodynamic Heating (EI) by
 - a. thermocouple and power feedback.
4. Constant Temperature (Soak)
 - a. by thermocouple feedback.

The methods of feedback most readily available and most commonly used are "power feedback" in the Heat Flux as a function of time (QT) mode; "thermocouple feedback" in the Temperature-Time (T-T) mode; and in the Simulation of Aerodynamic (EI) mode, both "thermocouple" and "power" feedback are required.

Thermocouple feedback is required in the Constant Temperature (Soak) mode.

E. Controls and Programmers

Controlling and programming the facility may be done by either manual procedures or by automatic procedures. Each three-phase channel consists of one master phase and two slave phases; the two slave phases respond to the master phase by equalization of the load voltage. The Channel Number 1 master phase can control subsequent channel master phases by the same load voltage equalization. Master-slave control is available in either manual or automatic operation.

The RH-1 program console consists of eight drums for programming q (heat flux), TD (temperature), and h (heat transfer coefficient) and two drums for programming T_{aw} (adiabatic wall temperature). Drum rotation is accomplished by a DC positional servo-mechanism so that all drums rotate at the same rate, continuously variable from 10 to 3000 seconds for full rotation.

Automatic programming of q , TD, h , and T_{aw} command functions is accomplished by cutting the desired curve shape on aluminized graph paper and fitting the graph paper to an appropriate program drum. The command functions are generated as voltage analogs from multiturn potentiometers, which are positioned by electrical servo-mechanisms driven by the curve followers. Skew rate (maximum probe follow rate) of the follower mechanism is approximately 5 inches per second; maximum travel from zero to full scale is 7 inches which makes the programmer faster in response than most commonly used heater loads.

TABLE VIII

OPERATING MAXIMUMS AND ELECTRICAL CONNECTIONS

<u>Channel No.</u>	<u>Max. RMS Volts</u>	<u>Max. RMS Current/ Amps</u>	<u>RMS 3 Sigma Power (Megawatts)</u>	<u>Electrical Connections to Heater Load</u>
1	480	1660	2.4	Open or closed delta
2	480	1660	2.4	Y
3	480	1660	2.4	Isolated phases
4	480	1660	2.4	Open or closed delta
5	480 & 600	1660 & 1340	2.4	Open or closed delta
6	480	1660	2.4	Open or closed delta
7	480	1660	2.4	Open or closed delta
8	2400	400 (est.)	3.0	Not controlled through ignitron tubes
8	480	1660	2.4	Open or closed delta
Any channel	120/ 240	6600/ 3300	2.4	Y, delta or isolated phases
Any channel	240/ 480	1240/ 620	0.9	Y, delta or isolated phases
Any channel	480	1660	2.4	Y, delta or isolated phases

NOTE: All channels may readily be reconnected to open or closed delta configuration.

II. QUARTZ INFRARED LAMPS

A. Lamp Characteristics

A large amount of the testing at the Radiant Heat Facility involves heat fluxes in the range from 10 to 200 Btu/sq ft-sec. These low-to-medium-level heat fluxes are normally provided by heater arrays equipped with T-3 tubular quartz

infrared lamps. The T-3 quartz lamp consists of a tungsten filament sealed in an inert gas-filled quartz tube $\frac{3}{8}$ inch in diameter. The normal sizes used are 10, 16, and 25 inch, which corresponds to the heated length of the filament. Also, 5 and 38-inch lamps are available for special uses.

1. Heat Concentrations

The normal heat concentration of the quartz lamp is 100 watts per linear inch of heated filament. The 10- and 16-inch lamps are available with heat concentrations of 200 watts per linear inch, while the 10-inch lamp is also available with a heat concentration of 360 watts per linear inch of heated filament. The 100-watt per inch lamps have either a clear or translucent quartz tube. The translucent tube is desirable when a small number of lamps are being used and an even heat distribution is needed to avoid hot spots. The high output lamps are available with clear quartz tubes only. The T-3 quartz lamp offers the highest heat concentration of any infrared source of this type.

2. Effects of Under and Overvoltage (Lamp Life)

One of the features of the T-3 lamps is their ability to handle overvoltages for short times. The normal life of the lamp is 5000 hours when operated at rated voltage, which is 240 volts for the 10-inch lamp as an example. When operated at 225 percent of rated voltage, the lamp life drops to 5 or 6 minutes at most; however, at this overvoltage, the power output of the lamp increases to more than three times the rated power output. This allows the T-3 lamp to be used when very high peak heat fluxes with short duration are required which could not be obtained at the normal rated voltages. Figure 15 gives the power and color temperature output of a typical quartz lamp when operated above and below normal rated voltages.

3. Warm-up and Cool-down Characteristics

The T-3 quartz lamp has a small thermal mass, thus allowing very rapid heat-up and cool-down rates. When the rated voltage is applied to the lamp as a step increase, the output will reach 70 percent of the rated output in 2 to 3 seconds. The lamp will cool down to 20 percent of rated output in 2 to 3 seconds after power is shut off.

B. Heater Array Design

To take advantage of the features of the quartz infrared lamp, it is necessary to install it in a heater array which will direct the radiant energy from the lamp toward the test item. The heater array then serves as a support for the lamps, by holding them in the desired arrangement, while

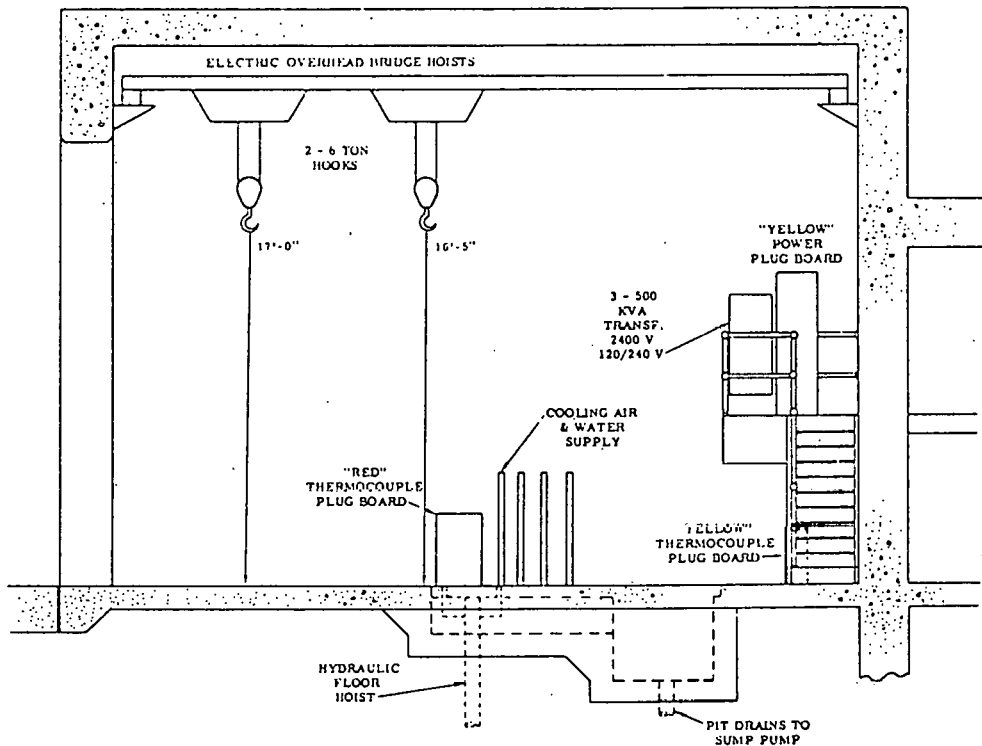
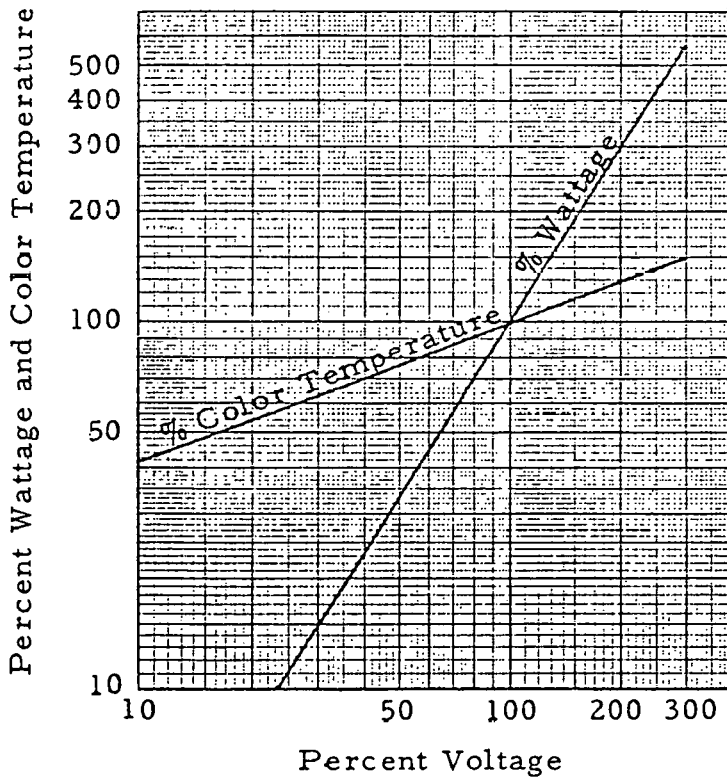


Figure 14. South Elevation of Test Bay



NOTE: Color Temperature 2500° K. at 100% Voltage

Figure 15. Voltage characteristics of T-3 Quartz Lamps

providing a reflector behind the lamps, which is normally gold plated. It is also necessary to provide cooling for the lamp seals and the quartz tube. The end seals are normally cooled by water cooling the lamp holders, although it is sometimes possible to merely air cool the seals when low level tests are required. The quartz tubes are cooled by blowing air over the tube surface either radially or axially as the design permits. In some tests, where the higher heat fluxes are required, it becomes necessary to water cool the reflector in order to avoid destroying the heater array.

III. GRAPHITE RESISTOR HEATING

Graphite resistor heating is used to simulate such environments as launch pad abort fires or the thermal energy from nuclear bursts. It is also used for heat shield or other types of material studies.

Programmed pulses of various shapes, flux levels, and pulse durations can be obtained using the automatic control equipment.

The type of flat graphite resistor normally used is shown in Figure 16. The thickness of the resistor used is either 0.375 inch or 0.750 inch; however, the other dimensions are the same as shown.

One, two, or three resistors are used depending upon the size of the test specimen and the flux rate required. With the resistors run horizontally, support rods have to be used to prevent the resistor from sagging and closing the gaps, thereby shorting out sections. When the resistors are mounted vertically, no supports are necessary. Electrical arcing across the resistor slots is reduced by blowing inert gas across the graphites from a manifold.

A. Heat Flux Levels

The incident flux levels obtainable will range from the maximum flux level obtainable from the quartz lamp up to about 420 Btu/sq ft-sec-incident. The maximum level attainable on any test specimen depends upon the shape and size of the item and whether or not it can be mounted in a test fixture that has a high reflectivity.

All of the higher flux levels have been obtained, using a shutter in front of the test item so that the graphite resistors can be brought up to temperature before the test item is exposed to the heat flux. Refrasil cloth is used to cover the shutter to help protect it from the high exposure temperatures.

B. Pulse Characteristics

1. Pulse Types

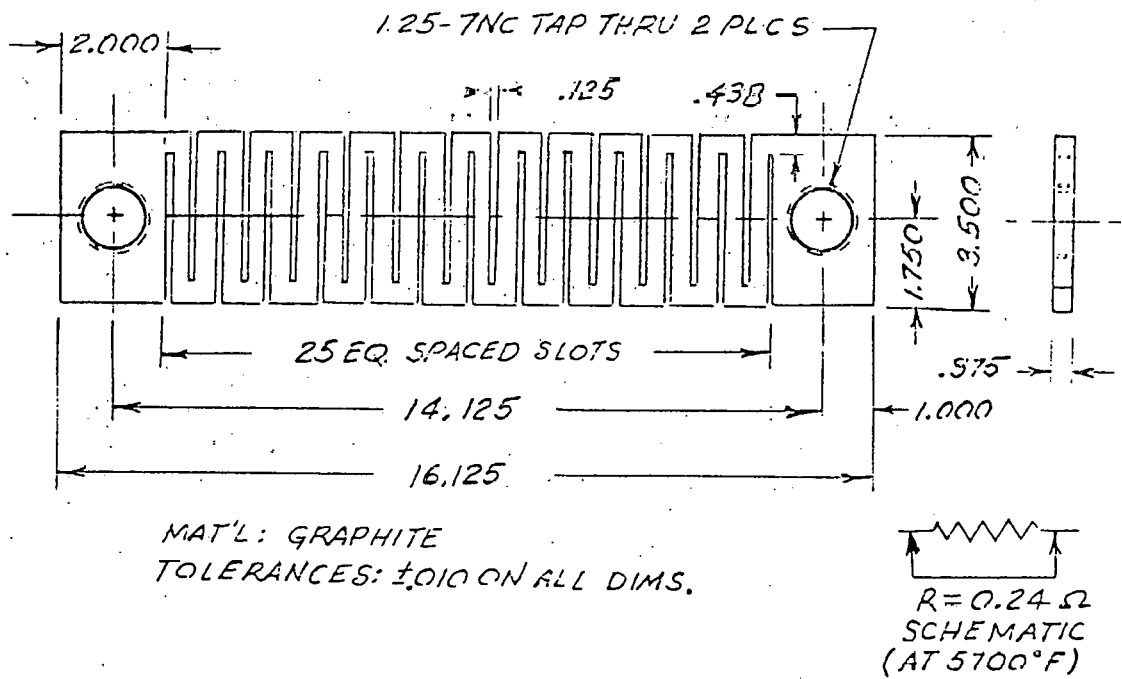


Figure 16. Straight Resistor

There are three main parts of the heat pulse that can be varied. These are the rise and fall time with their associated shapes and the duration of time at the peak.

2. Rise

There are several methods of controlling the rise time of the heat flux pulse. One method is to use the natural rise in temperature of the graphite resistor which runs about 20 seconds for a temperature required to reach 350 Btu/sq ft-sec. A slower rise time than the above method can be obtained by programming power to the resistors at a slower rate. Another method is to use a shutter between the graphite resistors and the test item. The resistors are brought up to the required temperature, the shutter is opened, and the rise time is practically instantaneous.

3. Fall Time

The fall off due to the natural cooling of the graphite resistors to 20 percent of max flux occurs in approximately 10 seconds. The heat flux can be cut off near the end of the pulse by the use of the shutter which causes a sudden drop of the flux to zero. The heat flux can also be cut off at maximum heat flux by the use of a shutter.

4. Pulse Durations

The pulse duration is dependent upon the peak power input level. In general, the higher the flux level, the shorter the pulse duration that can be obtained. A level of 350 Btu/sq ft-sec can be maintained for approximately 30 seconds if a good reflective surface is used to hold the test specimen.

C. Heater Array Design

Most tests are run using the graphite resistor heater arrays with a water cooled and gold plated reflector behind the graphite resistors to reflect as much of the radiant energy as possible. Other arrays may be designed to follow the contour of various shapes. These would then be backed by a water-cooled, gold-plated reflector which would also support the electrode rods screwed into the resistors.

Introduction

The NASA High Temperature Loads Calibration Laboratory at the Flight Research Center, Edwards, California, has the capability of testing structural components and complete vehicles under the combined effects of loads and temperatures, and calibrating and evaluating flight loads instrumentation under conditions expected in flight. The laboratory provides close support of flight-to-flight program planning by structural-integrity testing, instrumentation calibrations, and analysis of unexpected problems encountered in the course of exploratory flights.

General Description

The laboratory is a hangar-type structure with a small shop and office area attached to one end to accommodate the operations staff. It is located adjacent to Rogers Dry Lake and is connected to the dry lake and the Edwards Air Force Base runways by a ramp and taxiway.

Hangar Test Area. Figure 17 is a sketch of the building layout. The hangar-door opening is 40 feet (12.2 meters) high and 136 feet (41.6 meters) wide. Additional access to the test area from the exterior is provided by personnel doors and an equipment door. Access to the test area from the shop area is provided by two equipment doors. The unobstructed test area is 150 feet (45.7 meters) long by 120 feet (36.6 meters) wide by 40 feet (12.1 meters) high. There are 16 tiedown slots spaced 6 feet (1.8 meters) apart, 7 instrument wire trenches, 7 electrical power trenches, and 5 mechanical trenches.

The cross-sectional dimensions of the trenches are 10 inches (25.4 centimeters) by 12 inches (30.5 centimeters). The mechanical trenches distribute hydraulic power, water, and compressed air to the test area. The maximum load capability of the tiedown slots is 15,000 pounds (67,000 newtons) uplift every 2 feet (0.6 meter). Figure 18 shows a sketch of a typical tiedown slot. A 5-ton (44,000-newton) overhead crane services the entire hangar test area.

Control Room. The control room for the heating equipment, loading equipment, and data-acquisition system is on the second floor. Two observation windows, 11 feet (3.4 meters) wide by 4 feet (1.2 meters) high, and a closed-circuit television system are provided for monitoring the test area. The television system has several cameras which can be positioned in the hangar test area; one can be controlled remotely from the control room for tilt, pan, elevation, focus, and zoom. A two-channel intercommunication system is provided between the control room and the twelve acquisition sites of the data-acquisition system in the hangar test area. Audio and video tape machines provide voice communication and visual recording of the test.

Power Distribution. Twenty megawatts of 480-volt, three-phase, 60-cycle power are available for distribution to 512 solid state SCR, or 2.3 megawatts to 24 ignitron power regulators. Hydraulic power consists of a 4.5 gallon per minute (284 cubic centimeter per second) supply operated at 3000 pounds per square inch (20.7 meganewtons per square meter). Compressed air is supplied by a 125-horsepower (93,250-watt) compressor capable of delivering 845 cubic feet per minute (0.398 cubic meter per second) at 60 pounds per square inch (413.7 kilonewtons per square meter).

Equipment Configuration and Capabilities

Hydraulic and Thermal Load Control Systems. The hydraulic and thermal load control systems have the capability of loading and heating test specimens simultaneously by following programs of load and temperature. The hydraulic and thermal load control systems are programmed by the same type of function generator and by similar controllers. Both the function generators and the hydraulic and thermal load controllers are digital devices.

Two manually operated air-hydraulic pumps are also available for manual loading of structures with hydraulic jacks. The capacity of each jack is approximately 8,000 pounds (35.6 kilonewtons).

Thermal Loading System. The available programmed heating equipment consists of: (1) a 512 channel direct digital control system employing solid state SCR power regulators capable of a total of 20 megawatts available for a single test, or (2) 24 analog channels using ignitron power regulators, each with a power capacity of 100 kilowatts. Electrical power is connected to the power control channels from the transformers with bus bars. Connection of electrical power to the lamps is by flexible cable with high-temperature insulation. Cables to the lamps are routed through floor trenches.

The primary protective or fail-safe capability used with the heating equipment is a voltage-limiting system which enables the operator to limit the voltage applied to the heat lamps for each channel control. To use this system effectively it is necessary to know the amount of power needed to achieve the

heating rates and temperature levels required by the tests. Once this information is known, it is necessary to limit the power applied to each channel to avoid exceeding these values.

Heat is applied to the specimen through the use of infrared quartz lamps which are available in various lengths from a 5-inch (12.7-centimeter) lighted length to a 32-inch (81.3-centimeter) lighted length. Reflector arrangements are readily adaptable to individual requirements for heating rates in the range of 0 to 100 Btu/sq ft-sec (1.13 MW/sq m) and temperatures up to 3000 degrees F (1922 degrees K).

Data-Acquisition System. The instruments whose outputs are to be recorded are connected to acquisition "sites" near the test setup. Each acquisition site can accommodate up to 100 channels of any instrumentation mix. Twelve acquisition sites are available, so that the system can handle up to twelve hundred channels. The sites contain signal conditioning and strain-gage-bridge balancing equipment. They also convert data from analog to digital form for transmission to the control room. This configuration minimizes effects of electrical noise generated by the thermal loading system. Each site has its own air-conditioning unit to improve the reliability of its performance in the changing thermal environment.

The data acquired by the acquisition sites are routed to the control console, which is the interface between the test conductor and the data-acquisition system. The console contains a number of displays which keep the test conductor informed about the progress of the test. The control console, in turn, communicates with a high-speed digital computer which acts as a command and control device for the data-acquisition system. Under stored program control, it commands the channel sampling sequence and the sensitivity at which each channel is measured. Data are formatted in the computer for output magnetic-tape units. Information is recorded on magnetic tape in IBM 360 9-track format. Data are reduced on the NASA Flight Research Center System 360 general-purpose computer.

Numeric displays of test time and data from any one channel (reduced to engineering units if desired) and a bar graph displaying analog lines whose lengths are proportional to data from any 32 selected channels are available at the control console. Also, three strip-chart recorders are connected to the control console to provide quick-look analog time histories of up to 24 channels of information. If desired, an X-Y plotter can be connected to two strip-chart channels to produce, in real time, a plot of one variable versus another. Twenty alarm lights are available to indicate noteworthy or hazardous conditions. The lights can also be used for automatic test shutdown. To observe the test, the test conductor sits in front of a large window overlooking the test area. For more detailed, close-up viewing, closed-circuit television is provided. The control room, which is remote from the test area, can be connected by an inter-communication system to any acquisition site.

Instrumentation. The transducers available for use in the facility include strain gages, thermocouples, load cells, and position transducers.

A strain-gage laboratory within the facility provides the capability for installing and testing strain gages under environmental conditions of heat and load. Various types of strain gages, including those requiring welded and flame-spray attachments, can be installed. Thermocouples can also be installed in the strain-gage laboratory. The thermocouples used are typically spot-welded chromel-alumel.

Forty-eight potentiometric displacement transducers are available with the following specifications:

<u>Range</u>		<u>Resolution</u>		<u>Cable Tension</u>		<u>Quantity</u>
<u>in.</u>	<u>cm.</u>	<u>in.</u>	<u>mm.</u>	<u>OZ.</u>	<u>N</u>	
0 to 1	0 to 2.54	±.002	0.05	9	2.5	4
0 to 6	0 to 15.24	±.011	.28	9	2.5	14
0 to 12	0 to 30.48	±.022	.56	9	2.5	12
0 to 12(a)	0 to 30.48	±.017	.43	19	5.3	4
0 to 24	0 to 60.96	±.042	1.07	14	3.9	14

- (a) This transducer has a separable cable which permits the cable to release when its range is exceeded without damage to the component parts.

Twenty-four dial-gage displacement-measuring devices are also available with ranges varying from 3/8 inch (0.95 centimeter) to 4 inches (10.16 centimeters).

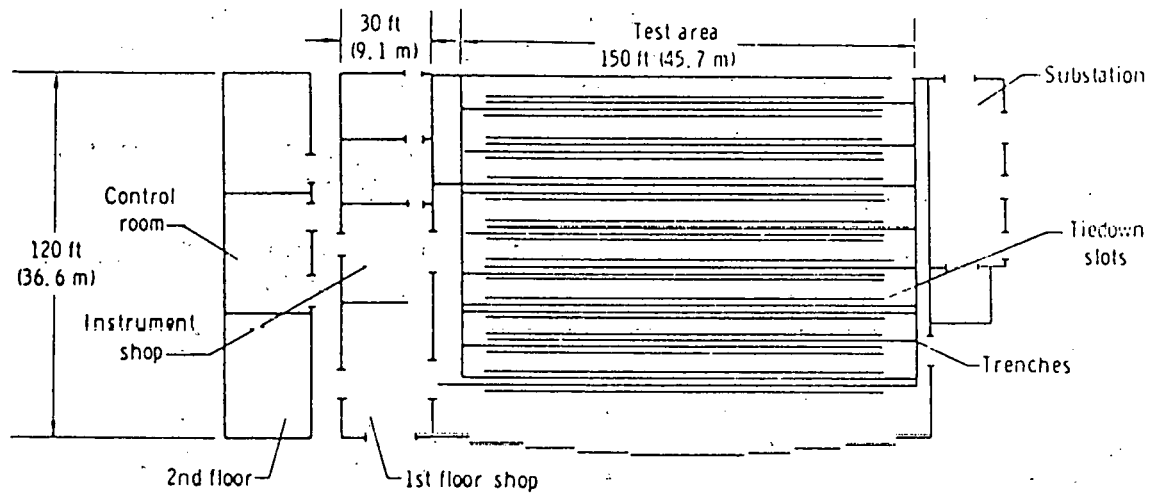


Figure 17. Building Layout of NASA High Temperature Loads Calibration Laboratory

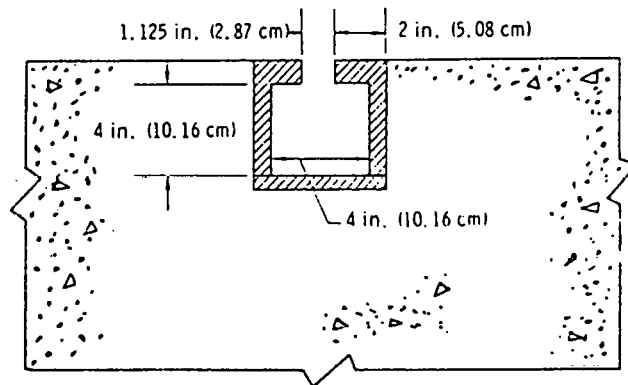


Figure 18. Cross Section of Typical Tiedown Slot

3.1.9 Radiant Heat Facility, Flight Dynamics Laboratory,
Wright-Patterson Air Force Base, Dayton, Ohio.

The High Flux, High Temperature facility is in the Structures Laboratory. Employing quartz lamps and graphite radiant heaters, this facility is capable of flux levels in excess of 100 W/sq cm with a continuous input power of 23 MWe and over 50 MWe for a five minute period. A great deal of nuclear pulse simulation work is being conducted on test panels of up to 6 ft by 6 ft. Grid flux control flexibility can be achieved. Nearly 2,000 data channels are available as is instrumentation. This laboratory is manpower limited for the next year and currently fully scheduled with tests. Availability beyond that time is not certain.

The need for conducting structural test programs at elevated temperature has resulted in the facility as it stands today. 50,000 KW of controlled electrical power is available with the necessary heat controls and switchgear to conduct tests up to 3000 degrees F. As an integral part of the facility, a large high speed data acquisition and processing system was included as well as programmed loading systems.

A large liquid nitrogen facility, including a 10,000 gallon Dewar, cryogenic pumping, piping test basin, and barrier, is available within the Structures Test Facility.

Heating System. With 23,000 KVA continuous power and a peak power of 50,000 KVA available for testing, the Air Force Flight Dynamics Laboratory Structural Test Facility has the capability of testing many large structures while simulating their true thermal environment.

In order to control this large amount of power, two systems are available; the 580 KVA and the 25/60 KVA system. The larger system has 80 channels of 580 KVA each. The controllers for this system make up what is referred to as the Heat Control Computer System. The Heat Control Computer is a magnetic drum, electronic storage computer for calculating the amount of power required to simulate aerodynamic heating or cooling of a given test specimen and to control the flow of electrical energy in accordance with these calculations. The equipment is capable of generating 170 simultaneous functions (time versus other selected parameters) and six time bases.

The analog portion of the equipment is capable of controlling test temperatures to 7500 degrees F. Function generators are provided for linearization of standard thermocouples and power measuring devices.

The 25/60 KVA system provides 210 - 60 KVA controllers and 550 - 25 KVA controllers. These controllers function in the time versus temperature or preset power level modes only. Program inputs to the controllers are analog signals which come from external function generators.

Temperatures may be programmed as Heat Flux Density (Q) or Time Temperature, both on real-time basis. This controlled electrical power feeds special radiant-heat lamps in custom designed reflector assemblies to achieve the thermal simulation. Range of temperature simulation is 150 degrees F to 3000 degrees F on large surface areas, with heat fluxes of 110 Btu/sq ft/sec.

Data Acquisition and Processing System. The Data Acquisition System provides a complete instrumentation capability in support of the structural integrity testing performed on advanced aerospace vehicles. The measurements performed by this system fall into two basic categories: indications of structural response, and environmental control system feedback sensing.

The heart of the instrumentation is the Data Acquisition and Processing System (DAPS) which has 1928 data channels. This system is a time-shared commutated system, with maximum sampling rates of 100 samples per channel per second. All data are converted into digital form and are both recorded on magnetic tape and entered on-line into a CDC-1604E computer which produces a real-time test data display. Recorded data can be processed later (off-line) by the same computer. The system's hard copy output is both tabular and graphical, on paper, and/or on microfilm. The real-time continuous monitoring of structural response by advanced computing equipment results in a failure-prediction and prevention capability that precludes catastrophic failure.

The electrical outputs from these transducers are recorded by a variety of instruments, depending on the nature of the particular test. The primary data acquisition device utilized for the majority of tests is the High Speed Digital Data Handling System.

It is this rapid response capability which allows meaningful application of limit-alarming and failure indication methods. Failure prediction, together with computer control of test input parameters can form the basis of a completely automated test program. The sensors most utilized in this work are capable of measuring force, elongation, acceleration, flow, pressure, thermal heat flux, cryogenic and elevated temperature, and unit elongation (strain) over a broad temperature range.

AN/GJQ-9 Programmer Comparator. The AN/GJQ-9 Programmer Comparator (Q-9) is a central checkout system that automatically coordinates the activities of several systems in the Structures Test Facility.

The Q-9 can energize equipment, check its condition, put it into operation, and shut it down. The Q-9 also has the capability of recording the performance of a piece of equipment as well as any malfunctions that occur during the process. In the event of a malfunction that cannot be rectified, the Q-9 can be made to substitute alternate equipment and continue the overall plan.

Since the Q-9 can sense 2000 test points and perform another 2000 operations, it is extremely useful in conducting large and complex test programs where electrical, electronic, hydraulic, pneumatic, and cryogenic systems are involved, thus saving a tremendous amount of manpower and time.

Demineralized Water System

Description. The demineralized water system is made up of the Radiant Cooling Water Circulating System, the R. F. Cooling Water Circulating System, and the Water Demineralizing Plant.

a. Radiant Cooling Water Circulating System

Maximum water temperature in system 113 degrees F
Water circulated 600 G.P.M.
Volume of water in system 2000 Gallons
Rate of heat removal 4,440,000 Btu/hr

b. R. F. Cooling Water Circulating System

Maximum water temperature in system 120 degrees F
Water circulated 3440 G.P.M.
Volume of water in system 5600 Gallons
Rate of heat removal 10,000,000 Btu/hr

c. The demineralizing plant is a two bed system consisting of a sand filter, cation unit, vacuum de-aerator, and a strong base anion exchanger. It is designed for continuous operation at 40 GPM and processes 19,200 gallons of raw water between regenerations.

Designed effluent quality:

Silica (ionized soluble) not to exceed 0.3 PPM
Electrolyte (ionized soluble solids) not to exceed 4 PPM
Conductivity not to exceed 10 micro-ohms
which corresponds to a minimum specific resistance of 100,000 ohms per cubic centimeter.

Purpose.

(a) The radiant cooling water circulating system provides low conductivity water to the 80 ignitron power controllers in the elevated temperature test facility.

(b) The RF Cooling Water Circulating System is used almost entirely for reflector cooling in support of elevated temperature test programs. The one exception being the single induction heating loop on the 4th floor.

(c) The water demineralizing plant is used to maintain water quality in the two circulating systems.

3.1.10 Radiant Heat Facility, McDonnell Aircraft Co., St. Louis, Missouri.

During the past decade, the Space Simulation and Systems Laboratories of the McDonnell Aircraft Company has built up a substantial capability in the area of high flux and high temperature radiant heaters.

Beginning with quartz lamp banks this capability has grown, with the inception of graphite radiant heaters, such that cold wall heat fluxes approaching 500 Btu/sq ft-sec and temperatures approaching 5000 degrees F are achieved with test article areas ranging up to 32 square feet.

Graphite Heater Experience

Contractual Work.

"Design and Fabricate a Graphite Radiant Heater Capable of Delivering 100 Btu/sq ft-sec over a 16.5 x 26-inch Area" (Contract No. NAS1-8387). The heater assembly was used by NSAS-LRC for evaluation of hydrogen-cooled panels under simulated hypersonic flight heating conditions.

"Design, Development, Fabrication, and Testing of a High Heat Flux Radiant Graphite Heater System" (Contract No. NAS1-8921). The goal of this effort was to develop a radiant heater capable of delivering 250 Btu/sq ft-sec to a four square foot cooled specimen in a pressure environment between atmospheric and 250 psig. Figure 19 shows the 26 x 26-inch graphite radiant heater that was delivered to NASA-LRC at the conclusion of the effort.

"Graphite Radiant Heater Modules" (Contract No. F33(615)-69-C-0074). This contract, with the AFFDL-WPAFE, was to design and fabricate six graphite radiant heater modules to upgrade the AFFDL heat flux capability. These modules were nominally 4 x 12 inches and operated from conventional ignitron power supplies.

"Design and Fabrication of a High Temperature Heating Array" (Contract No. NAS9-13091). A 26 x 30-inch graphite radiant heater was delivered to the Structures Test Section of NASA-JSC for use in testing Space Shuttle TPS.

"Design and Fabrication of a High Temperature Leading Edge Heating Array" (Phase I, Contract No. NAS9-13091; Phase Ia, Contract No. NAS9-13544). The requirement of this contract was to develop a graphite radiant heater array capable of heating a 60-inch section of full-scale Shuttle leading edge to 3500 degrees F in a pressure environment ranging from atmospheric down to 0.5 torr. A 36 x 5 inch prototype heater was fabricated and used to evaluate design concepts and performance predictions. Presented in Figure 20 is a pictorial view of the 72-inch collapsible heater module whose detail design was completed as a part of this contract. This heater, in the 72-inch configuration, is used in the leading edge heating array while in

the 48-inch configuration (center section removed and shorter heater elements installed) it is used in the 48 x 96-inch flat heating array shown in Figure 21.

In-house Work.

An early graphite radiant heater was used in a Company funded regeneratively-cooled engine inlet study. This heater was capable of delivering 120 Btu/sq ft-sec over a 4.5 x 72-inch area.

A cylindrical, three-phase graphite heater system was designed and fabricated for testing the microwave properties of antenna windows during simulated entry heating conditions. This heater was capable of applying over 500 Btu/sq ft-sec to the antenna window located at the bottom of the cylinder while simultaneously allowing the passage of microwaves up through the hollow center.

A forerunner of the Shuttle TPS Heating Array built for NASA-JSC, was fabricated for use in the MDC Laboratory for Shuttle TPS investigations. This heater, covered with a coated columbium reradiating susceptor plate to allow the specimen to be exposed to an oxidizing atmosphere while the heater operates in an inert environment, is capable of heating a 24 x 24-inch insulating panel to 2500 degrees F. Over 1000 thermal cycle tests have been successfully run with this apparatus.

Hot End Elements. One method of forming large and/or irregular shaped radiant heating arrays is to use a large number of small heater modules stacked end-to-end and side-to-side. Advantages of this sort of arrangement are: (1) utilization of "standard" heater units, (2) the possibility of infinite expansion to any size array, and (3) a large number of individual control zones for applying a spatial heat flux profile. One of the problems in a multi-modular array is the spatial uniformity of the delivered heat flux across the inevitable gaps that exist between the modules. Side-to-side stacking presents no uniformity problem because the inter-modular gap can be made the same as the inter-strip gap. However, the problem becomes severe in the end-to-end configuration because of the necessity of providing thickened ends on each strip for electrical connection and current turnaround. These thickened ends run substantially cooler than the active area of the heater strip so that when they are co-planar with the strips, a wide "cold stripe" is formed between the ends of adjacent heaters. This problem was solved at the MDC Laboratory by the invention of the unique hot end element (U.S. Patent No. 3,573,429). The hot end element has the thickened ends of each strip "tucked under" the strip, thereby allowing the active heating portion of the strip to extend all the way to the end. These elements were originally installed on the 4 x 12 inch modules, but recent investigations have shown their feasibility in lengths up to at least 36 inches. An experimental 36 inch hot end element was successfully operated in the previously described Leading Edge Prototype heater.

Heater Control and Transient Behavior. The graphite radiant heaters that have been designed and built in the MDC Laboratory have been operated at voltages varying from 14 to 480 volts, depending upon the application. This power is supplied, with or without a step-down transformer, from standard ignitron power controllers in various size ranging all the way up to the largest available ("E" size, 2000 amp at 480 volts). For most development work it is sufficient and desirable to manually control the ignitron, but for a number of tests controlled power was supplied to the heater by means of either set-point control or feedback control utilizing both thermocouple and heat flux sensor outputs as the feedback signal.

The transient behavior of a graphite heater is much like any other type of heater inasmuch as the response is largely dependent upon the test specimen being heated. This is particularly true in the cooling case when a hot insulating test article will re-radiate energy to the heater elements causing a relatively slow cooldown, whereas with an actively cooled specimen the cooling rate of the heater assembly is spectacularly rapid. Since graphite has no undesirable thermal shock properties, full power can be applied to a heater instantaneously with a typical response like that shown in Figure 22.

Heat Exchangers. The effort for NASA-IRC to develop a graphite radiant heater suitable for evaluating hydrogen-cooled panels required the design and fabrication of a water-cooled heat exchanger to simulate the test article. The design criteria for this heat exchanger included absorption of 250 Btu/sq ft-sec without local vaporization which could cause total failure from the tube burnout. The design selected consisted of a bank of 0.25-inch diameter x .030 inch wall copper tubes arranged one immediately next to the other to form a solid wall of tubes not unlike the "water walls" often seen in high performance steam boilers. This heat exchanger is composed of eight sections of thirteen tubes each and is connected so that the water flow is down one section and back on an alternate section. This arrangement is able to generate a large heat transfer film coefficient with a modest pressure drop and relatively low flow rates all of which contributes to the efficient use of the water available.

Facility Capability

Power.

Total available steady state electrical power 7.5 MW.

Peak transient power 34.5 MW for 60 sec (time determined by transformer temperature, less than 90 degrees C).

Thermal power deliverable to test article 4.5 MW.

Power controllers

3 channels of "E" Ignitron (2000 amp, 480 volts each)

54 channels of "P" Ignitron (200 amp, 480 volts each)

Water System.

300 gpm at 80 psi

120 gpm at 1000 psi

Data Systems.

400 channel Central Data Acquisition System.

100 channel Dymec digital magnetic tape system.

50 channel mini-data digital magnetic tape system.

Quick-lock printers.

Computer processing for overnight availability of graphical or tabular data in engineering units.

Test Area.

Indoor 50-ft high bay area.

Structural test jig with reinforced floor.

High pressure test cell, 50-ft high bay.

Figure 19. Graphite Radiant Heater

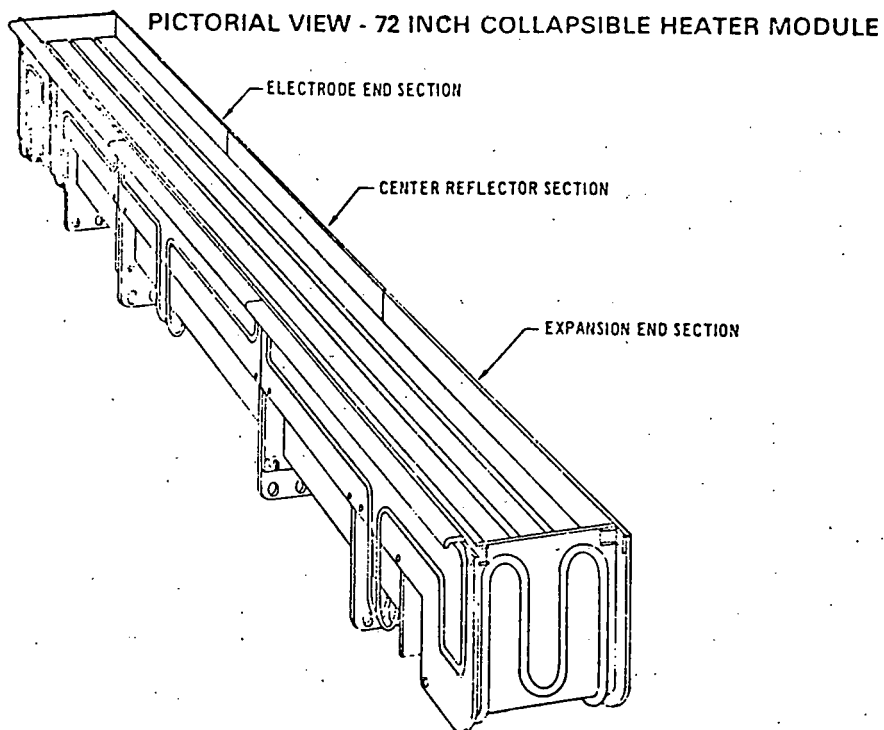


Figure 20. Heater Module

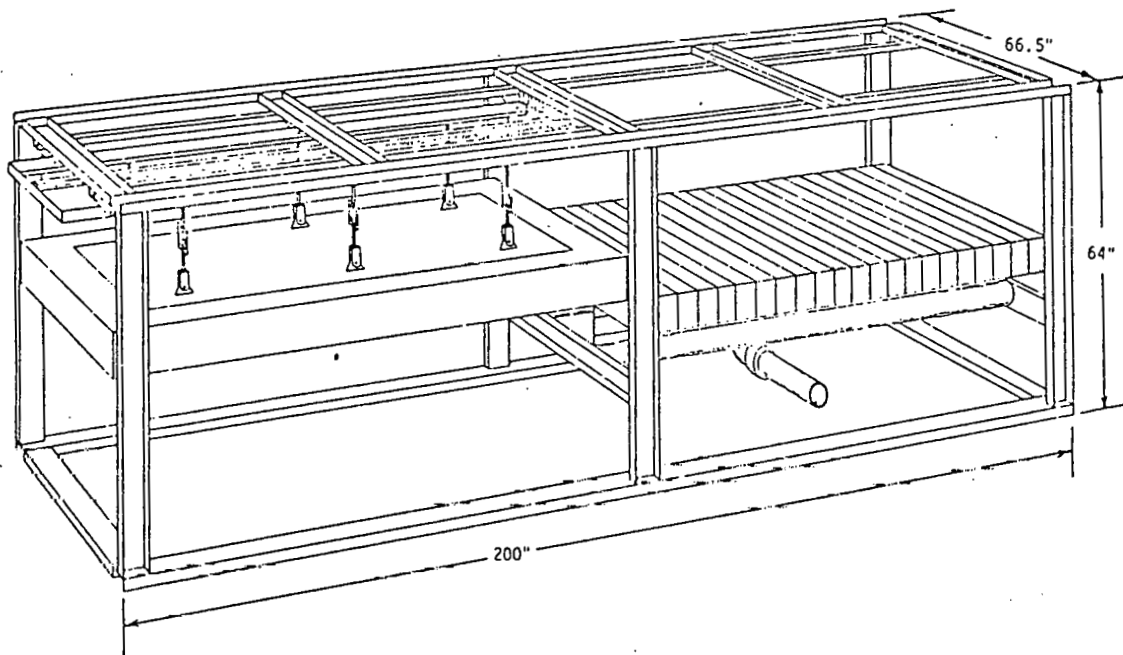


Figure 21. Flat Heater Array

Transient Test

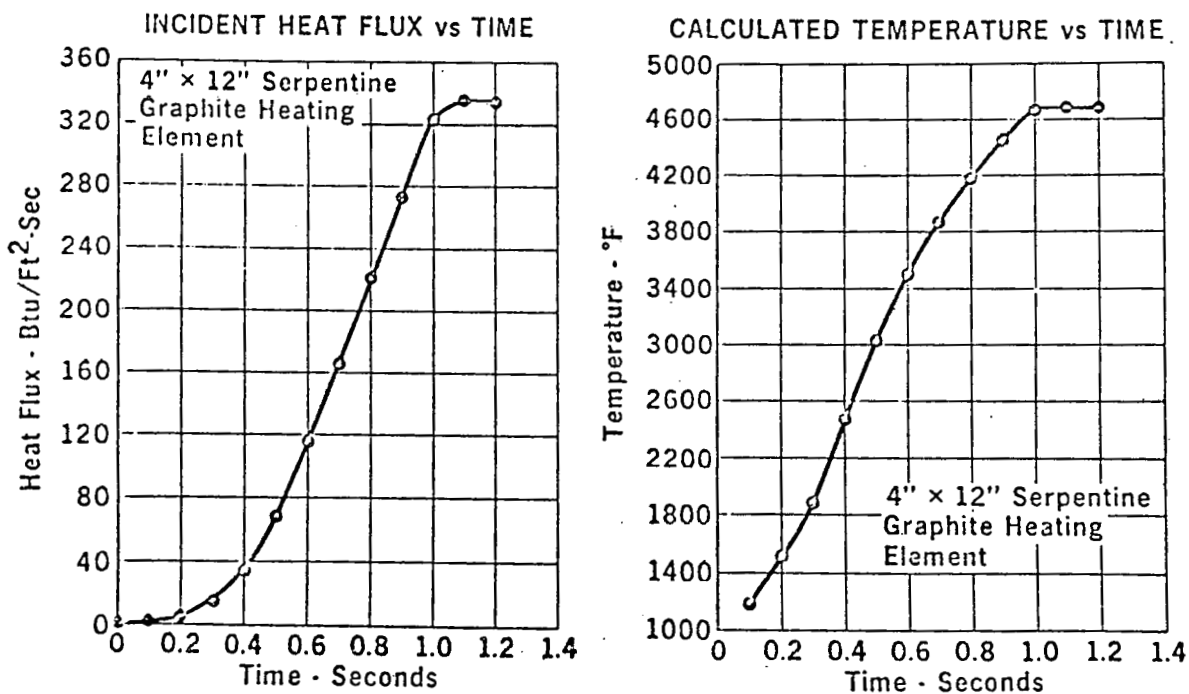


Figure 22. Typical Response

3.1.11 NASA Johnson Space Center, Houston, Texas.

A 5 MWe radiant heat facility is being developed at the NASA J.S.C. to facilitate the heavy test commitment of the space shuttle program. The primary objective for these tests, and therefore the configuration of the facility, is to simulate the reentry conditions for the space shuttle vehicle relative to pressure and temperature. Details and descriptions were not available at publication time for these facilities. However, the heating units and controls are being fabricated by McDonnell Douglas (see Section 3.1.10). This facility is heavily committed to the space shuttle program with testing scheduled through Nov. - Dec. 1975. It might then be available on an "as available" basis.

3.1.12 Rockwell International, Downey, California. This facility of 5 MW capacity, is owned by NASA J. S. C. and is also heavily committed to the space shuttle program and would be available on an "as available" basis upon NASA approval. Details and description of this facility were not available at publication time.

3.2 Collector

There does not seem to be any unique facility requirements for the engineering and development testing for the collector subsystem. In general, participating contractors will have adequate facilities for conducting tests employing an optical bench, laser grid, or Foucault tests as well as those tests for the structure and tracking mechanisms. As the sun is the prototype energy source, there is little reason to employ any other except for optical bench tests on the reflective surfaces. There are a variety of techniques in the literature which can be used to measure mirror surface accuracy. Generally, no exotic testing facility is required. Where long distances are needed, any unobstructed line of sight may be usable.

The following facilities are identified to illustrate the general capabilities for flat or long focal length mirrors.

3.2.1 Optical Evaluation Facility, Sandia Corp., Livermore

This facility consists of two basic units: (1) the optical bench, consisting of a laser/grid setup, and (2) a full-gimbaled mount, constructed to test tracking and control systems and to evaluate mirrors. Figure 23 schematically represents the laser/grid test setup. A laser is used to project a grid pattern on the mirror being tested and the reflected image is photographed. Figures 24 and 25 show images produced by the point loading technique and the spin casting process (parabolic). The full-gimbaled mount is shown in Figure 26.

Closed Loop Sensor. A simple but effective sensor is available which consists of a tube that sits in the reflected solar radiation and is aligned with the aperture of the cavity. A pin hole or lens at the low end of the tube directs or focuses the reflected image of the sun onto four photocells located at the upper end of the tube. Figure 27 shows this quad photocell configuration.

Photocells 1 and 3 operate together into a differential operational amplifier to provide a vertical error signal. Photocells 2 and 4 operate similarly to produce a horizontal error signal. The error signals drive the respective axis of the mirror until the reflected image falls onto the center of the quad photocell. As long as the sensor tube is correctly aligned, the reflected radiation will be properly redirected.

Either photovoltaic or photoresistive cells work equally well. Photoresistive cells presently are about five times less expensive, however. When a signal is generated on one of the photovoltaic cells, it is amplified and drives the servo mechanism on the appropriate axis. If photoresistive cells are used, the pairs operate as a balanced bridge. As the resistance goes down on the cell with the most light, a signal is sent to change the corresponding mirror axis.

An in-line sensor with both a wide angle acquisition and a precision tracking sensor incorporated into a single tube has been built and tested. A hole is located in the center of the wide angle quad photocell so that as the image of the sun moves in on the wide angle sensor, it eventually goes through the hole and falls onto the second quad photocell which allows precise mirror adjustment. The two quad photocells operate electrically in parallel.

Testing. To test tracking accuracy, a gimbaled mount was built on which a 6-foot diameter mirror can be mounted. The axes of the mount are driven by AC motors running through a 75,000:1 gear ratio. Tracking accuracy was monitored using a target made of 48 adjustable photocells located in a cross pattern. Preliminary testing indicates the mount tracks within ± 2 minutes.

Contact: Mr. Tom D. Erumleve (415) 455-2941
Mr. Alen Skinrod (415) 455-2501

Reference: SAND 74-8017 "Status Report on High Temperature Solar Energy System", Sept 1974

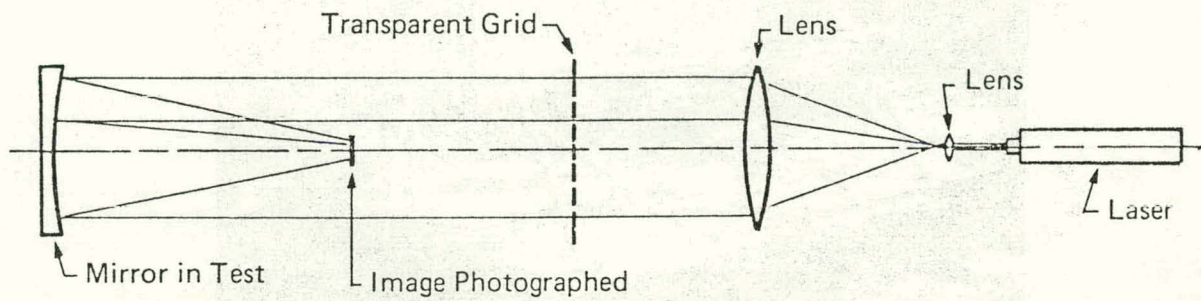


Figure 23. Mirror Test Satup

Figure 24. Image of Point-Loaded Mirror

Figure 25. Image of Centrifugally Cast Epoxy Mirror

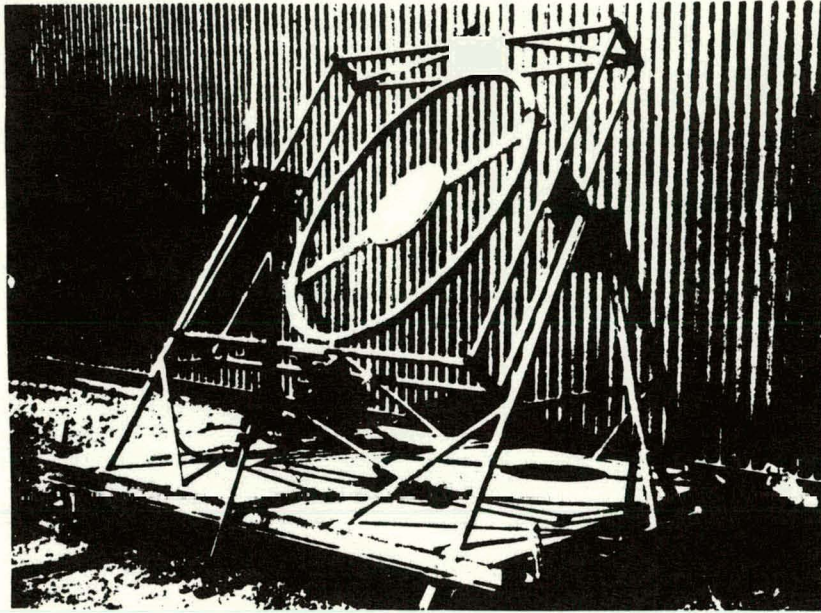


Figure 26. Full Gimbaled Mount

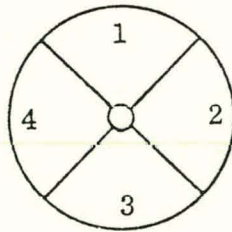


Figure 27. Quad Photocell Configuration

3.2.2 Optical Evaluation Facility, NASA Lewis Research Center,
Cleveland, Ohio.

The unique feature of this facility is their solar concentrator inspection device. This device is particularly useful in inspecting relatively short focal length mirrors such as their 20 ft diameter, 9 ft focal length parabolic concentrator. When testing the surface accuracy of their collimator mirrors of 61 meter radius, Foucault tests were conducted. The solar concentrator inspection device does not seem to be applicable to the measurement of long focal length or flat mirrors such as are being considered for the collector subsystem heliostats. No other unique equipment or tests were identified at this facility which would be of particular use for testing the collector subsystem components.

Contact: Mr. John L. Pollock (216) 433-4000 x354

Reference: Report 20-Foot Solar Concentrator Inspection NASA
TMX-68042 "400 Kilowatt Argon Arc Lamp for Solar
Simulation", pp 4 & 5.

3.2.3 Naval Weapons Center, China Lake, Calif.

OPTICAL EVALUATION. This facility consists of several instruments to measure non-normal incidence transmittance, normal and non-normal incidence reflectance, attenuated total reflection, and scattering from mirrors and windows.

What the facility can do. Specular reflectance and transmittance at normal incidence can be measured from the vacuum ultraviolet to the intermediate infrared. Specular reflectance can be measured as a function of angle of incidence in the ultraviolet and visible spectral regions, and attenuated total reflection can be measured in the visible and infrared. Scattering from optical surfaces can be measured as a function of scattering angle or as total hemispherical scattering from the ultraviolet to the infrared; the roughness of a surface can be calculated from the scattering measurements. The accuracy of all measurements is at least 10 times better than is possible with commercially available instruments.

How the facility works. Several instruments are available, all of which have been built at Michelson Laboratory. freedom from systematic errors. In all types of measurements light of a single wavelength falls on the sample, and the amount reflected, transmitted, or scattered is determined. (Figure 28).

Sample Requirement. For most types of measurements the samples should be in the form of disks 1.520 inches in diameter and 0.25 to 0.375 inch thick, with one surface flat to within a wavelength of light and polished to a mirror finish. For some of the reflectance and scattering measurements, the samples can be actual mirrors up to 40 centimeters in diameter with radii of curvature larger than 11.5 centimeters.

Processing Time. Processing time is variable, depending on the type of measurement desired. In most cases measurements take about 15 minutes per data point after the initial adjustments have been made.

Contact: Dr. S. Douglas Elliot (714) 939-2830
Dr. Jean M. Bennett 939-2869

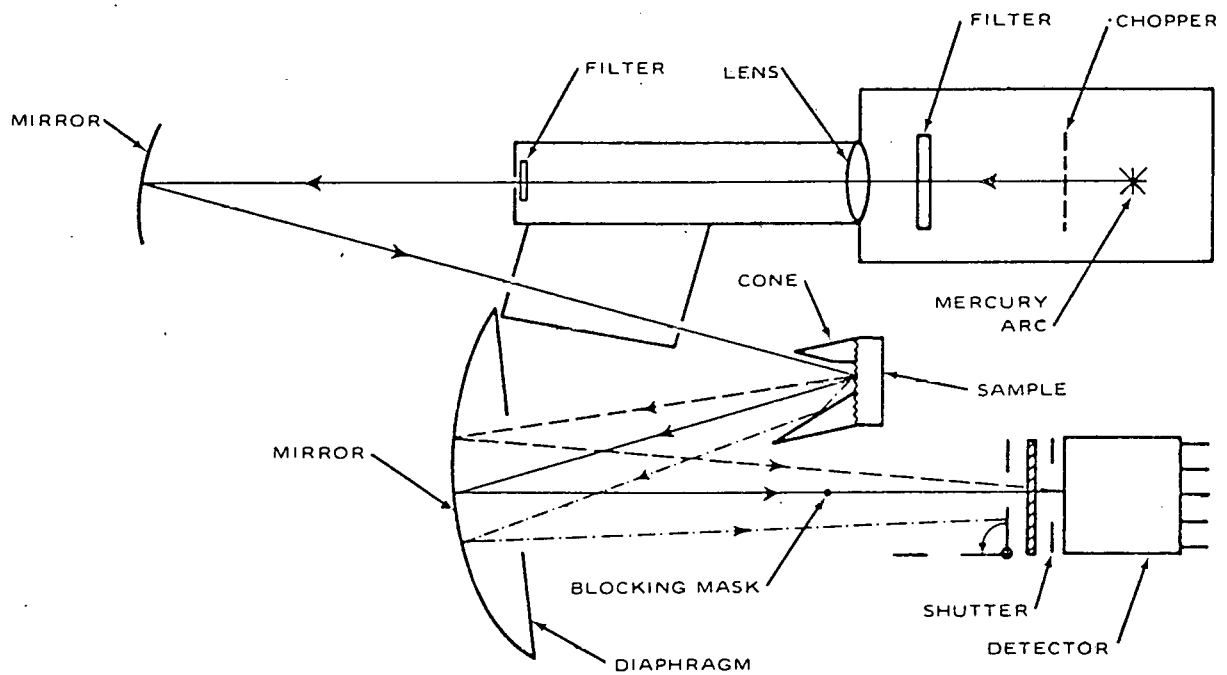


Figure 28. Schematic Diagram of an Apparatus to Measure Scattering from a Sample
 (The specularly reflected beam follows the solid line and the scattered light is represented by the dashed lines.)

3.3 Thermal Storage. Due to the unique requirements for Thermal Storage for the proposed Solar Thermal Central Receiver Power System, only the existing facilities at the Sandia Laboratories, Livermore have been described as these descriptions were readily available. Other facilities may or may not be available to meet the needs of specific subsystem concepts. These facilities are being developed as a result of prior interests of the A. E. C. in this field of research.

3.3.1 Sensible Heat Storage Test Facility, Sandia Laboratories, Livermore, Calif.

The Sensible Heat Storage Test Facility is made up of the following three circuits:

- (1) Heater or collector simulator systems.
- (2) Storage systems.
- (3) Load simulator systems.

Instrumentation is included to obtain data at critical points throughout the system. This will allow measurement of the efficiency of the system and verification of the proper operation of specific components. In addition, control equipment is included for automatic operation of the system.

Collector Simulator System. This system consists of a heater with pump, heat exchanger and normal safety equipment. The heat transfer fluid, Monsanto Thermanal 66, can be used at temperatures up to 650 degrees F. A temperature control valve regulates a heat by-pass system. In addition, there are flow meters and a number of visual and recording instruments for temperature and pressure.

Storage System. The storage system consists of the heat exchanger, a storage tank, two pumps, and an evaporator tank. This system also has the required safety features. At present it is designed to use (1) water at 450 degrees F and 450 psi, (2) Thermanal 66 at 550 degrees F for the storage fluid. This system has two temperature control valves which control two heat bypass circuits. There are also flow meters and visual and recording temperature and pressure indicators. In addition, the storage tanks can use the thermocline principle and has 26 thermocouples for recording the storage temperature at different heights from the bottom of the tank. Two diffusers are used for supplying and removing fluid from the tank without disturbing the thermocline. The instrumentation in this system is sufficient to record the amount of energy at critical points plus the capability of monitoring the operation of the diffusers. (See Figures 29 and 30).

Load Simulator System. The Load Simulator System is designed to bring city water to an evaporator tank. It includes instrumentation to measure the efficiency of the heat transfer and the changing of cold water to steam. This system will have programmed loads that will call for output from the storage tank.

General Comments. This facility is now being assembled and will be operational in the spring of 1975. If desired, the present storage system can be replaced with other storage systems for test and evaluation. Maximum operating temperatures and materials and fluid compatibility would have to be examined.

Components in the system are:

Heater: Fulton Fultemp Thermal Fluid Heater No. 10T
Output - 326,000 Btu/hr

Opr. Temp - 600 degrees F max
Opr. Press - 75 psi
Fuel - No. 2 Fuel Oil

Heater Pump:

Power - 7.5 HP
Capacity - 10 GPM

Heat Exchanger:

Cross Flow Construction
Q - 330,000 Btu/hr
Heat Transfer Oil - 550 to 450 degrees F
Storage Water - 350 to 450 degrees F

Storage Tank:

Volume - 1775 gallons
Working pressure - 450 psi
Wall thickness - 1 inch
Heat capacity - 1,250,000 Btu at 100 deg.
change in T
Insulation - (1) wall, super insulation and
vacuum
(2) top and bottom glass wool
blanket

Storage Pumps:

(2) RSE Centrifugal Type CPK300
Power - 3 HP
Capacity - 10 GPM

Evaporator Tank:

Cross Flow Construction
Q - 160,000 Btu/hr
Storage water - 450 to 350 degrees F
Supply water - 55 to 220 degrees F

Contact: Mr. A. C. Skinrod (415) 455-2501
Mr. T. D. Brumleve (415) 455-2941

Reference: Sandia Laboratories Memo Jan 7, 1975
R. A. Milby to A. C. Skinrod
"Sensible Heat Storage Test Facility"

SLL-73-0263
"Sensible Heat Storage in Liquids"
T. D. Brumleve, July 1974

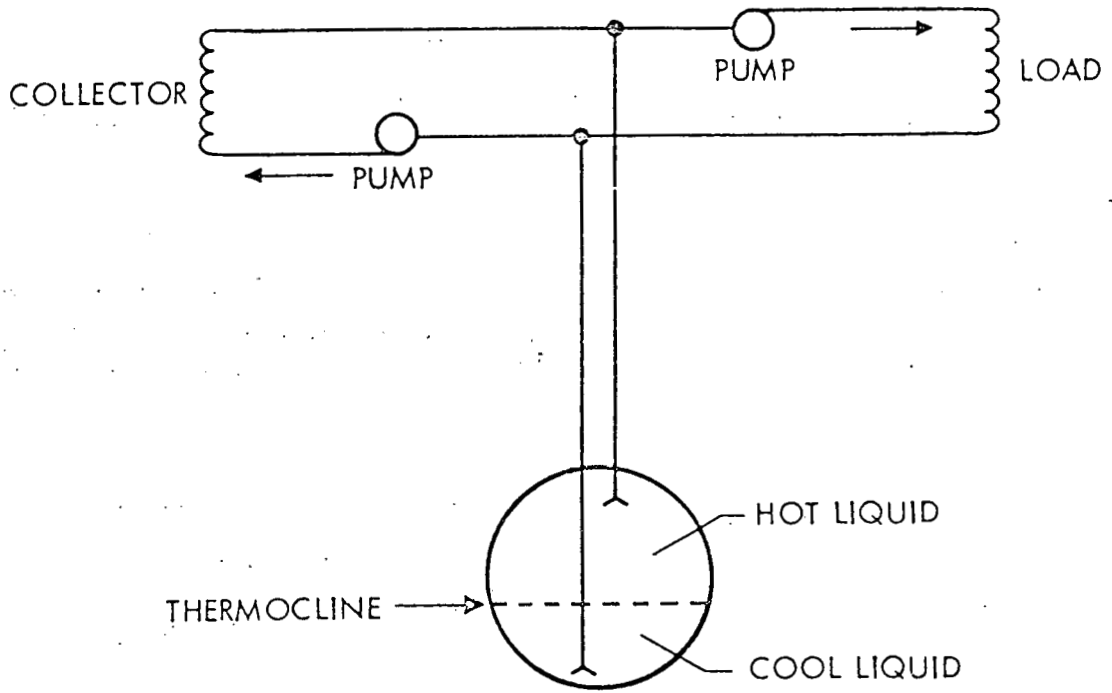


Figure 29. Sensible Heat Energy Storage System Schematic

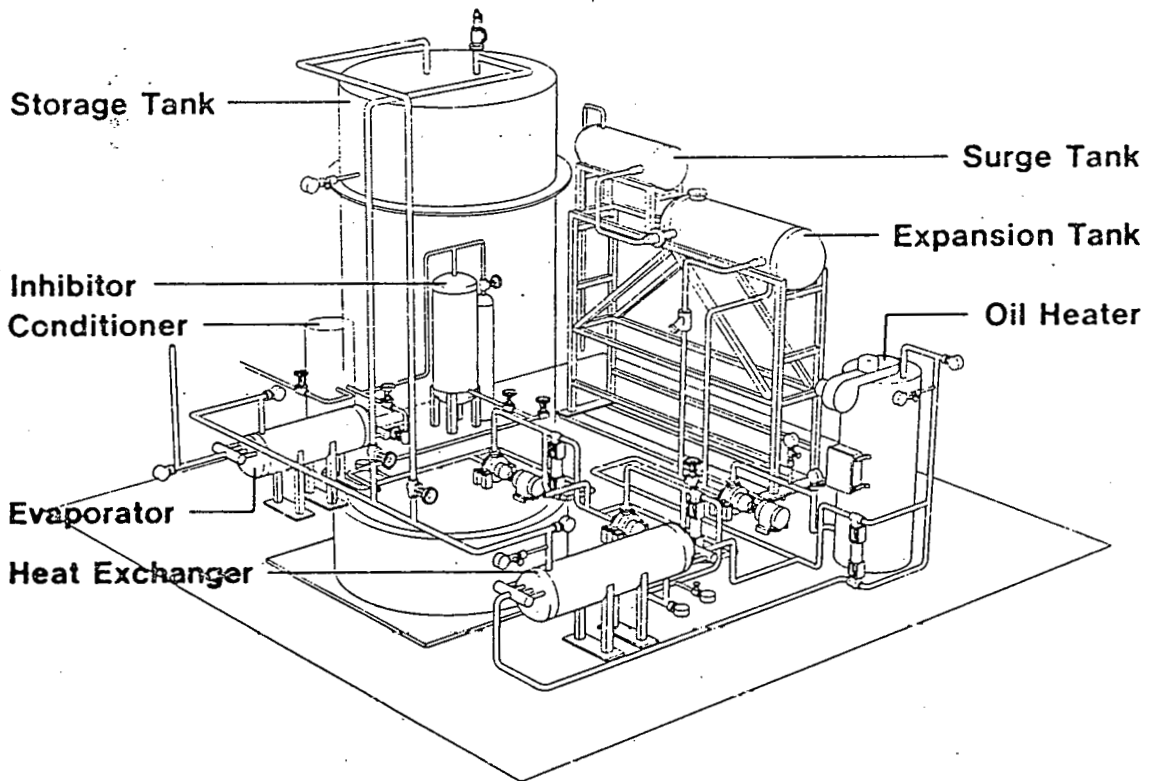


Figure 30. Experimental Test Facility
Sensible Heat Storage of Liquids

Document Control Page	1. SERI Report No. TR-34-083	2. NTIS Accession No.	3. Recipient's Accession No.
4. Title and Subtitle Survey of Solar Thermal Test Facilities		5. Publication Date August 1979	
7. Author(s) Keith Masterson		6.	
9. Performing Organization Name and Address Solar Energy Research Institute 1596 Cole Boulevard Golden, Colorado 80401		8. Performing Organization Rept. No.	
		10. Project/Task/Work Unit No. Task No. 3405	
		11. Contract (C) or Grant (G) No. (C) (G)	
12. Sponsoring Organization Name and Address		13. Type of Report & Period Covered Technical	
		14.	
15. Supplementary Notes			
16. Abstract (Limit: 200 words) This report describes briefly the facilities that are presently available for testing solar thermal energy collection and conversion systems. Section 2.0 lists facilities that are known to meet ASHRAE standard 93-77 for testing flat-plate collectors. Section 3.0 identifies the DOE programs and test needs for distributed concentrating collectors. It identifies existing and planned facilities that meet these needs and recommends continued support for most of them. Section 4.0 identifies the needs and facilities that are suitable for testing components of central receiver systems, several of which are located overseas. The central contact point for obtaining additional details and test procedures for these facilities is the Solar Thermal Test Facilities Users' Association in Albuquerque, N. M. The appendices contain data sheets and tables which give additional detail on the technical capabilities of each facility. Also included is the 1975 Aerospace Corporation report on test facilities that is frequently referenced in the present work.			
17. Document Analysis a. Descriptors Nonconcentrating Collectors; Distributed Collectors; Concentrating Collectors; Central Receivers; Testing; Test Facilities; Surveys b. Identifiers/Open-Ended Terms c. UC Categories 59B, 62, 63C			
18. Availability Statement		19. No. of Pages	
National Technical Information Service U.S. Department of Commerce 5285 Port Royal Road Springfield, VA 22161		127	
		20. Price \$7.25	